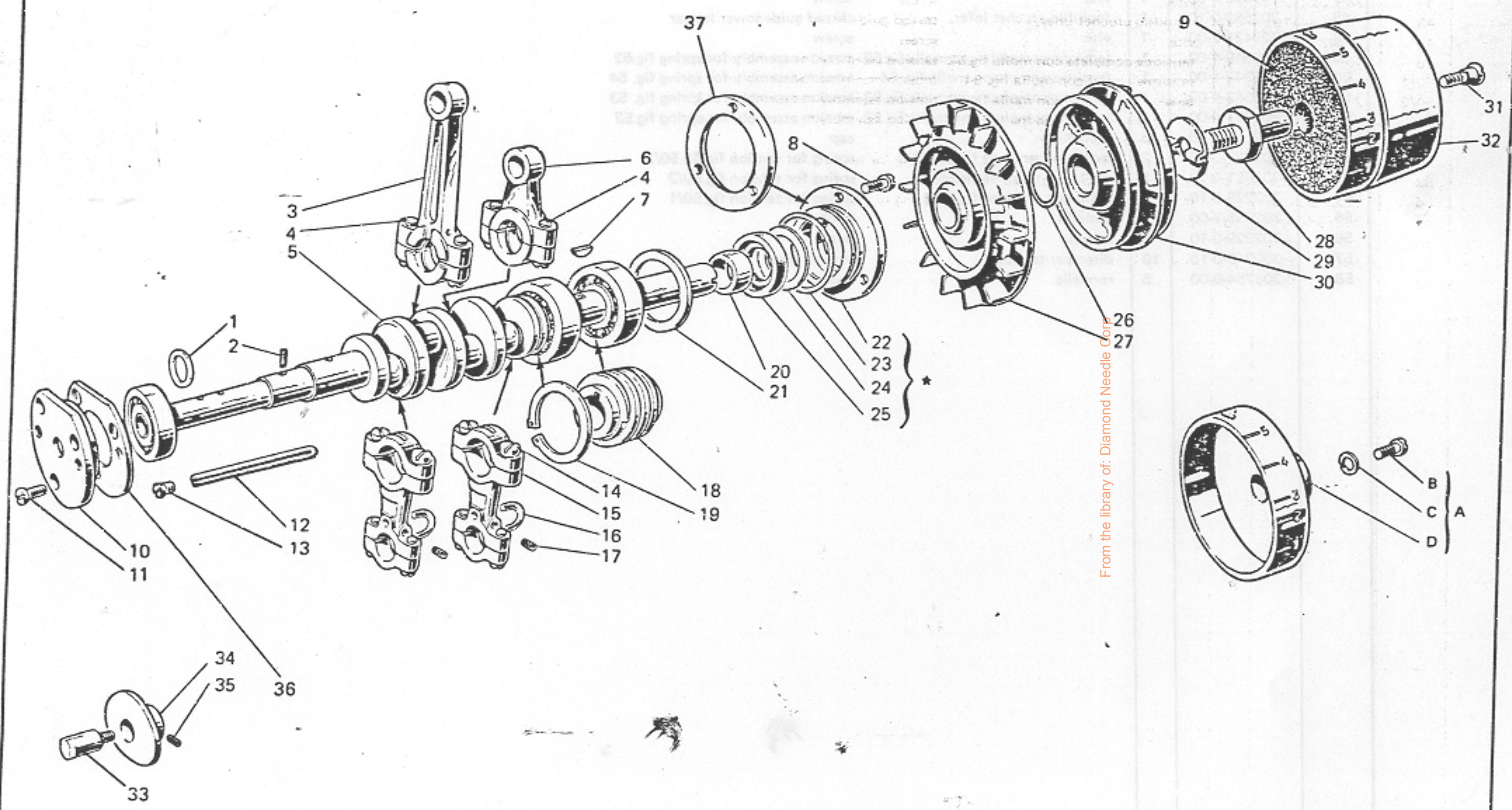


Fig. N. Abb. N.	Part. N. Bestell N. Pieza N.	Qt. Anzahl	DESCRIZIONE	DESCRIPTION	BENENNUNG	DESCRIPTION	DESCRIPCION
46	202782-0-10	1	tendifilo	thread guide			
47	745002-0-00	1	vite	screw			
48	202683-0-10	1	tendifilo crochet infer.	thread guide lower looper			
49	720431-2-00	1	vite	screw			
50	206346-4-00	1	tensione completa con molla fig.52	tension assembly for spring fig.52			
50/1	206342-4-00	1	tensione compl.con molla fig. 54	tension assembly for spring fig. 54			
50/2	206343-4-00	1	tensione completa con molla fig.53	tension assembly for spring fig. 53			
50/3	206341-4-00	1	tensione completa con molla fig.52	tension assembly for spring fig.52			
51	202556-0-00	5	scodellino	cap			
52	202227-0-10	2	molla per tensione fig.50-50/3	spring for tension fig.50-50/3			
53	202681-0-10	1	molla per tensione fig.50/2	spring for tension fig.50/2			
54	202228-0-10	1	molla per tensione fig.50/1	spring for tension fig.50/1			
55	202558-2-00	5	pomolo	knob			
56	202229-0-10	5	bussola	bush			
57	300218-0-10	10	disco per tensione	tension disc			
58	206754-0-00	5	rondella	washer			

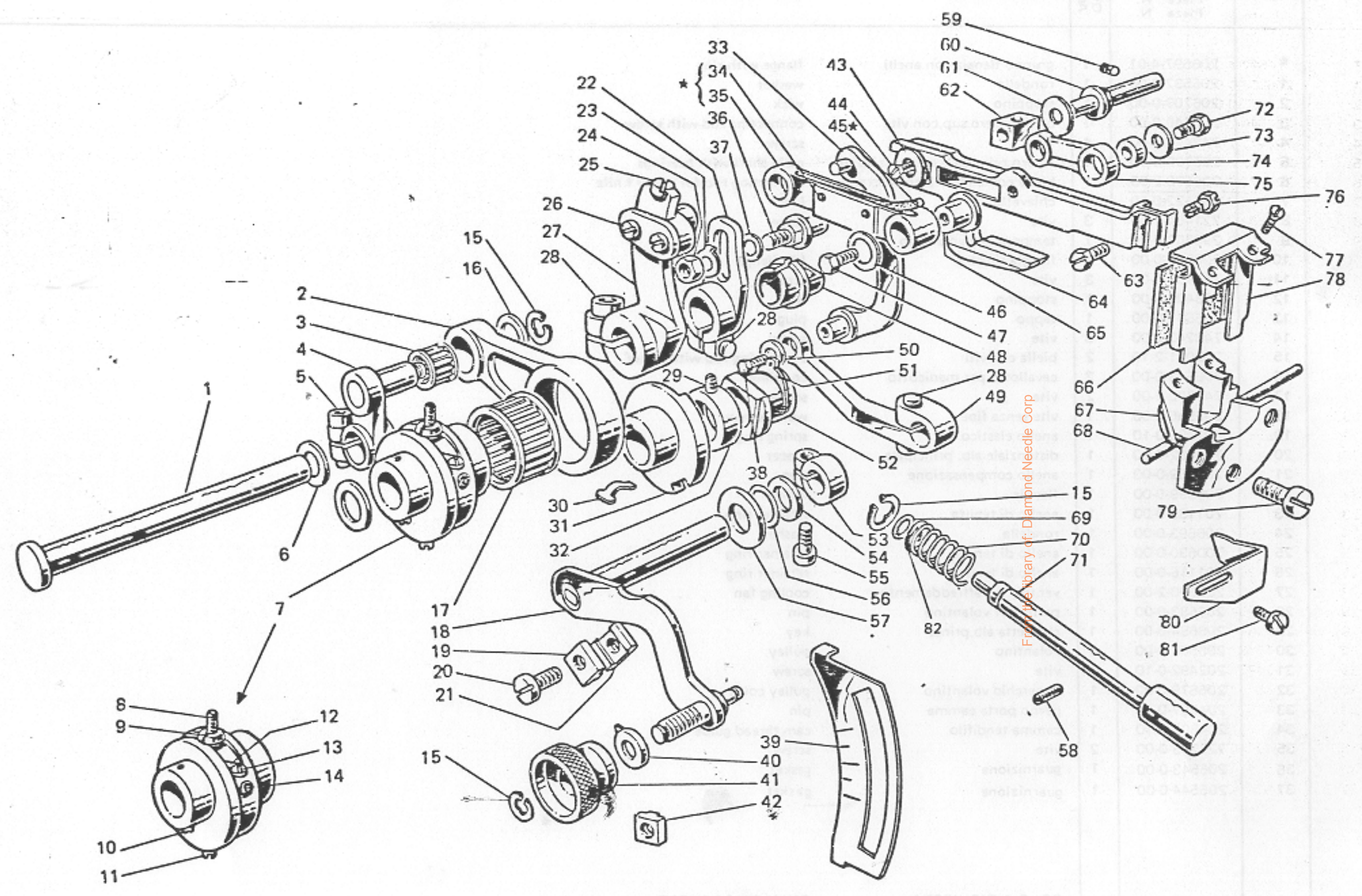
From the library of: Diamond Needle Corp



From the library of: Diamond Needle Corp

Fig. N. Abb. N.	Part. N. Bestell N. Piece N. Pieza N.	Qt. Anzahl	DESCRIZIONE	DESCRIPTION	BENENNUNG	DESCRIPTION	DESCRIPCION
*	206697-4-01	1	gruppo flangia con anelli	flange with ring			
1	206532-0-00	1	rondella	washer			
2	206708-0-00	1	stoppino	wick			
3	206549-2-00	1	biella albero sup. con vite	connecting rod with screw			
4	743471-2-00	4	vite	screw			
5	206705-3-00	1	albero principale con cuscinetti	main shaft with bearings			
6	206578-2-00	1	biella comando alb. coltello sup.	connecting rod for upper knife			
7	204122-0-10	1	chiavetta	key			
8	721464-2-00	3	vite	screw			
9	206507-0-00	1	tampone per volantino	pad			
10	206860-0-00	1	flangia sinistra	left flange			
11	741956-2-00	3	vite	screw			
12	778406-0-00	1	stoppino	wick			
13	206681-0-00	1	tappo	plug			
14	743243-2-00	8	vite	screw			
15	202071-2-10	2	biella con viti	connecting rod with screw			
16	206643-0-00	2	cavallotto per manicotto	coupling			
17	745800-2-00	2	vite	screw			
18	206556-0-00	1	vite senza fine	worm screw			
19	202386-0-10	1	anello elastico	spring ring			
20	206692-0-00	1	distanziale alb. principale	spacer			
21	206689-0-00	1	anello compensazione	ring			
22	206699-0-00	1	flangia	flange			
23	701133-0-00	1	anello di tenuta	retainer ring			
24	206693-0-00	1	rondella	washer			
25	700630-0-00	1	anello di tenuta	retainer ring			
26	701116-0-00	1	anello di tenuta	retainer ring			
27	206690-2-00	1	ventola di raffreddamento	cooling fan			
28	206683-0-00	1	perno per volantino	pin			
29	206684-0-00	1	chiavetta alb. princ.	key			
30	206508-0-00	1	volantino	pulley			
31	202492-0-10	1	vite	screw			
32	206679-0-00	1	coperchio volantino	pulley cover			
33	204757-0-11	1	perno porta camma	pin			
34	204803-0-10	1	camma tendifilo	cam thread guide			
35	727203-0-00	2	vite	screw			
36	206543-0-00	1	guarnizione	gasket			
37	206544-0-00	1	guarnizione	gasket			
A	202539-4-00	1	<u>SOLO A RICHIESTA</u> coperchio volantino per Quick Stop	<u>ONLY ON REQUEST</u> pulley cover for Quick Stop			
B	721525-0-00	1	vite	screw			
C	703007-0-00	1	rondella	washer			
D	202352-2-11	1	coperchio	cover			

From the library of: Diamond Needle Corp

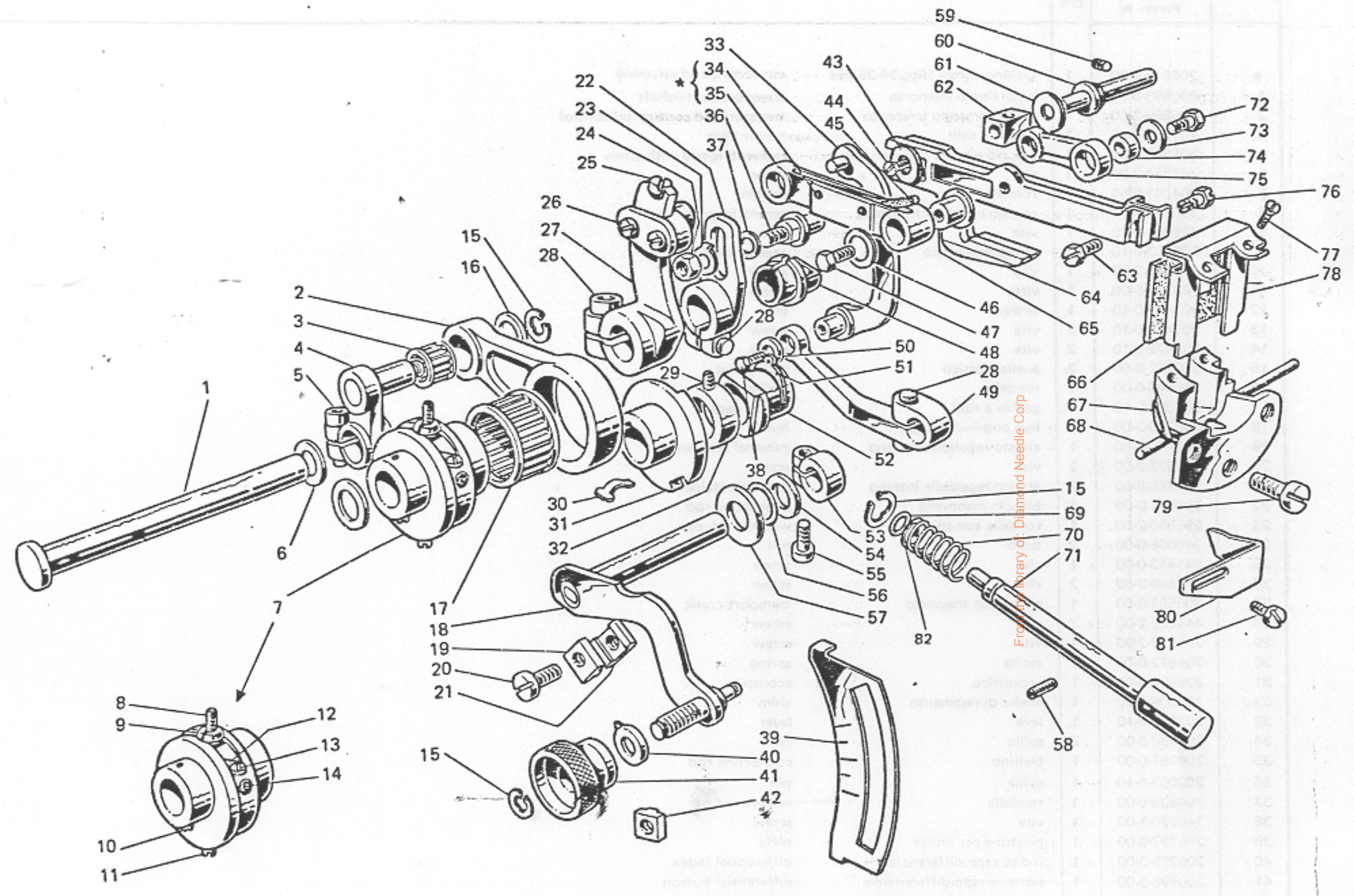


From the library of: Diamond Needle Corp

Fig. N. Abb. N.	Part. N. Bestell N. Piece N. Pieza N.	Qt. Anzahl	DESCRIZIONE	DESCRIPTION	BENENNUNG	DESCRIPTION	DESCRIPCION
★	206615-4-00	1	biellino compl.(figg.34-35-45)	connecting rod assembly			
1	206593-0-00	1	contralbero trasporto	transport countershaft			
2	206599-0-00	1	biella comando trasporto	transport connecting rod control			
3	201358-0-10	1	gabbia a rulli	needle cage			
4	206598-3-00	1	braccio a manovella con vite	connecting-rod with screw			
5	744334-2-00	1	vite	screw			
6	704841-0-00	1	rondella	washer			
7	206871-4-01	1	gruppo ecc.regol.trasporto	eccentric group			
8	729051-2-00	1	vite	screw			
9	206603-0-10	1	fermo eccentrico	eccentric retainer			
10	745125-2-00	1	vite	screw			
11	728272-0-00	1	vite	screw			
12	202412-0-10	1	lardone	gib			
13	202473-0-10	2	vite	screw			
14	202472-0-10	2	vite	screw			
15	700207-0-00	3	anello elastico	spring ring			
16	206546-0-00	1	rondella	washer			
17	202385-0-10	1	gabbia a rulli	needle cage			
18	206790-2-00	1	leva comando slitta	lever			
19	206799-0-00	1	arresto regolabile esterno	external retainer			
20	742222-2-00	2	vite	screw			
21	206795-0-00	2	arresto regolabile interno	internal retainer			
22	206584-2-00	1	braccio manovella	connecting rod			
23	206580-2-00	1	rondella con spina	washer with pin			
24	746008-0-00	1	dado	nut			
25	741413-0-00	1	vite	screw			
26	741546-2-00	2	vite	screw			
27	206592-3-00	1	manovella trasporto	transport crank			
28	744332-2-00	3	vite	screw			
29	745812-2-00	1	vite	screw			
30	206872-0-00	1	molla	spring			
31	206605-0-01	1	eccentrico	eccentric			
32	206606-2-00	1	anello di rasamento	shim			
33	202047-2-10	1	leva	lever			
34	200490-0-00	2	spillo	pin			
35	206587-0-00	1	biellino	connecting rod			
36	202063-0-10	1	spina	pin			
37	704808-0-00	1	rondella	washer			
38	740220-2-00	1	vite	screw			
39	206797-0-00	1	piastrina per indice	plate			
40	206796-0-00	1	indice rapp.differenziale	differential index			
41	206798-0-00	1	bottone rapp.differenziale	differential button			
42	206794-0-00	1	arresto regolabile esterno	external retainer			
43	202475-0-10	1	rondella	washer			
44	724032-0-00	1	vite	screw			
45	778417-0-00	1	stoppino	wick			
46	705008-0-00	1	rondella	washer			

From the library of: Diamond Needle Corp

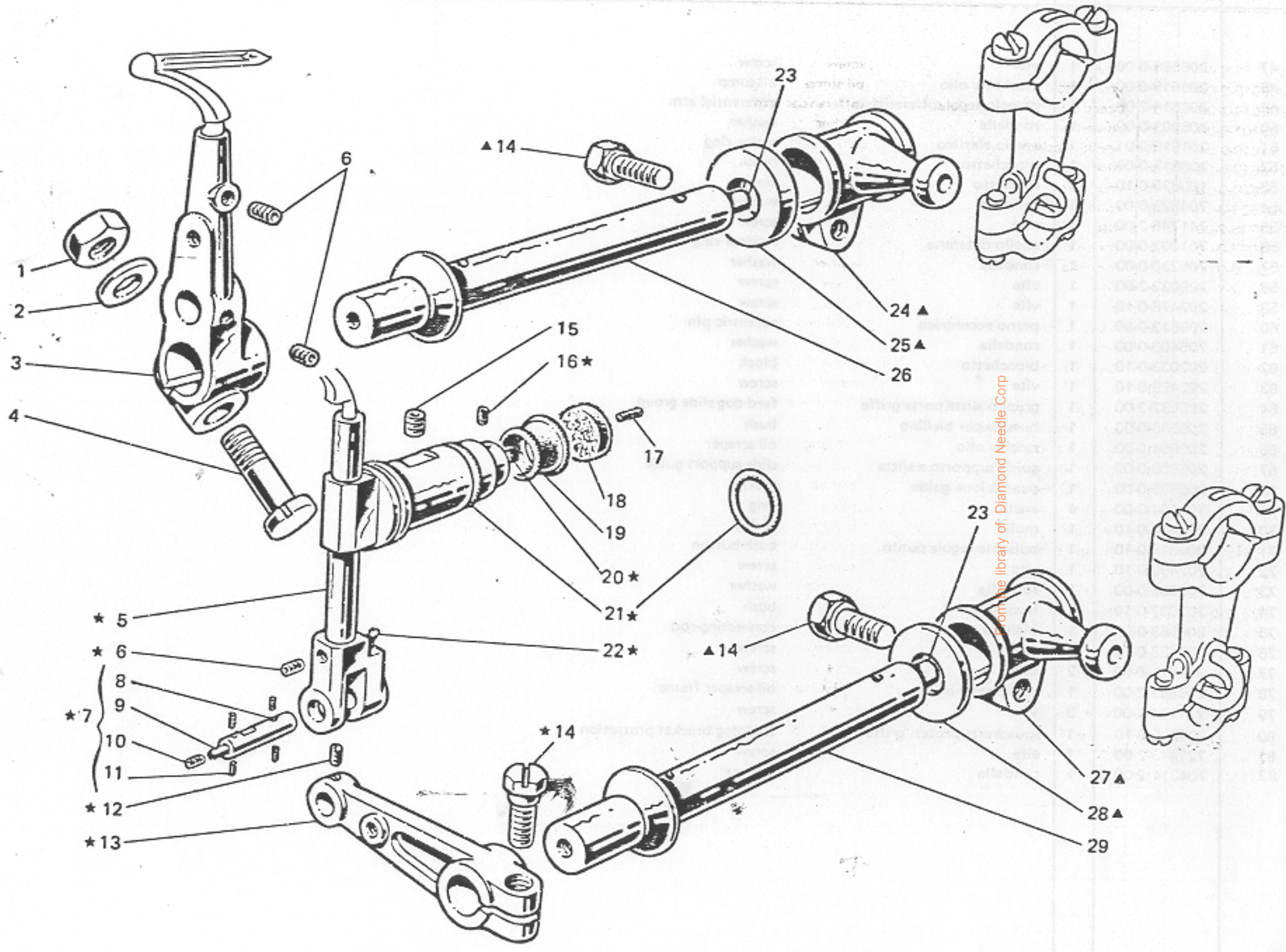
Rumoldi



From the library of: Diamond Needle Corp

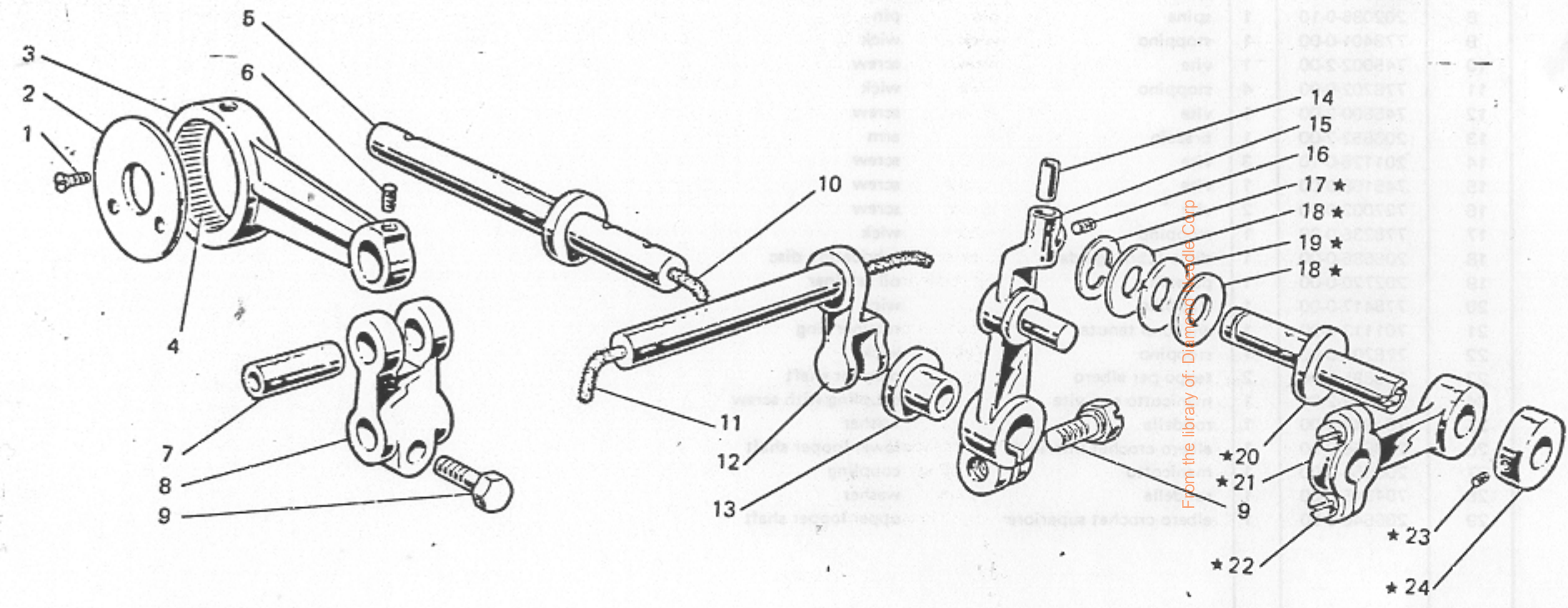
Fig. N. Abb. N.	Part. N. Bestell N. Piece N. Pieza N.	Qt. Anzahl	DESCRIZIONE	DESCRIPTION	BENENNUNG	DESCRIPTION	DESCRIPCION
47	206588-0-00	1	vite	screw			
48	206619-0-00	1	vaschetta olio	oil sump			
49	206614-2-00	1	braccio regol.differenziale	differential arm			
50	705201-0-00	1	rondella	washer			
51	201610-0-01	1	anello elastico	spring ring			
52	206617-0-00	1	blocchetto	block			
53	100620-0-10	1	morsetto	clamp			
54	704829-0-00	1	rondella	washer			
55	741745-2-00	1	vite	screw			
56	701007-0-00	1	anello di tenuta	retainer ring			
57	705230-0-00	1	rondella	washer			
58	729032-2-00	1	vite	screw			
59	202478-0-10	1	vite	screw			
60	206613-0-00	1	perno eccentrico	eccentric pin			
61	705408-0-00	1	rondella	washer			
62	202033-0-10	1	blocchetto	block			
63	202489-0-10	1	vite	screw			
64	206582-3-00	1	gruppo slitta porta griffe	feed dog slide group			
65	206586-0-00	1	bussola per biellino	bush			
66	206804-0-00	1	raschia olio	oil scraper			
67	206608-0-00	1	guida supporto a slitta	slide support guide			
68	206609-0-00	1	guarnizione guida	gasket			
69	701004-0-00	1	anello	ring			
70	202408-0-10	1	molla	spring			
71	206618-0-10	1	pulsante regola punto	bush-button			
72	202490-0-10	1	vite	screw			
73	705208-0-00	1	rondella	washer			
74	202032-0-10	1	bussolina	bush			
75	206583-0-00	1	biellino	connecting-rod			
76	202488-0-10	1	vite	screw			
77	744621-0-00	2	vite	screw			
78	206803-2-00	1	telaio raschiaolio	oil scraper frame			
79	721464-2-00	3	vite	screw			
80	204905-0-10	1	squadretta protez. griffe	feed dog bracket protection			
81	721443-2-00	1	vite	screw			
82	704314-2-00	1	rondella	washer			

From the library of: Diamond Needle Corp



From the library of: Diamond Needle Corp

Fig. N. Abb. N.	Part. N. Bestell N. Piece N. Pieza N.	Qt. Anzahl	DESCRIZIONE	DESCRIPTION	BENENNUNG	DESCRIPTION	DESCRIPCION
▲	206386-4-00	1	gruppo manicotto com. crochet	control looper assembly			
★	206415-4-00	1	gruppo com. crochet superiore	upper looper control			
1	746408-2-00	1	dado	nut			
2	705013-0-00	1	rondella	washer			
3	204671-0-10	1	porta crochet inferiore	lower looper holder			
4	204700-0-10	1	perno a vite	pin			
5	206410-3-00	1	guida oscillante	oscillating guide			
6	745812-2-00	3	vite fissa crochet	screw			
7	206645-4-00	1	spina	pin			
8	202086-0-10	1	spina	pin			
9	778401-0-00	1	stoppino	wick			
10	745002-2-00	1	vite	screw			
11	778202-0-00	4	stoppino	wick			
12	745800-2-00	1	vite	screw			
13	206652-2-00	1	braccio	arm			
14	201128-0-10	3	vite	screw			
15	745168-0-00	1	vite	screw			
16	727002-0-00	2	vite	screw			
17	778236-0-00	1	stoppino	wick			
18	206686-0-00	1	disco lubrif. guida	lubrication disc			
19	202720-0-00	1	paraolio	oil retainer			
20	778417-0-00	1	stoppino	wick			
21	701113-0-00	1	anello di tenuta	retainer ring			
22	778208-0-00	1	stoppino	wick			
23	206695-0-00	2	tappo per albero	plug for shaft			
24	206659-2-00	1	manicotto con vite	coupling with screw			
25	704847-0-00	1	rondella	washer			
26	206656-0-00	1	albero crochet inferiore	lower looper shaft			
27	206658-2-00	1	manicotto	coupling			
28	704845-0-00	1	rondella	washer			
29	206646-0-00	1	albero crochet superiore	upper looper shaft			



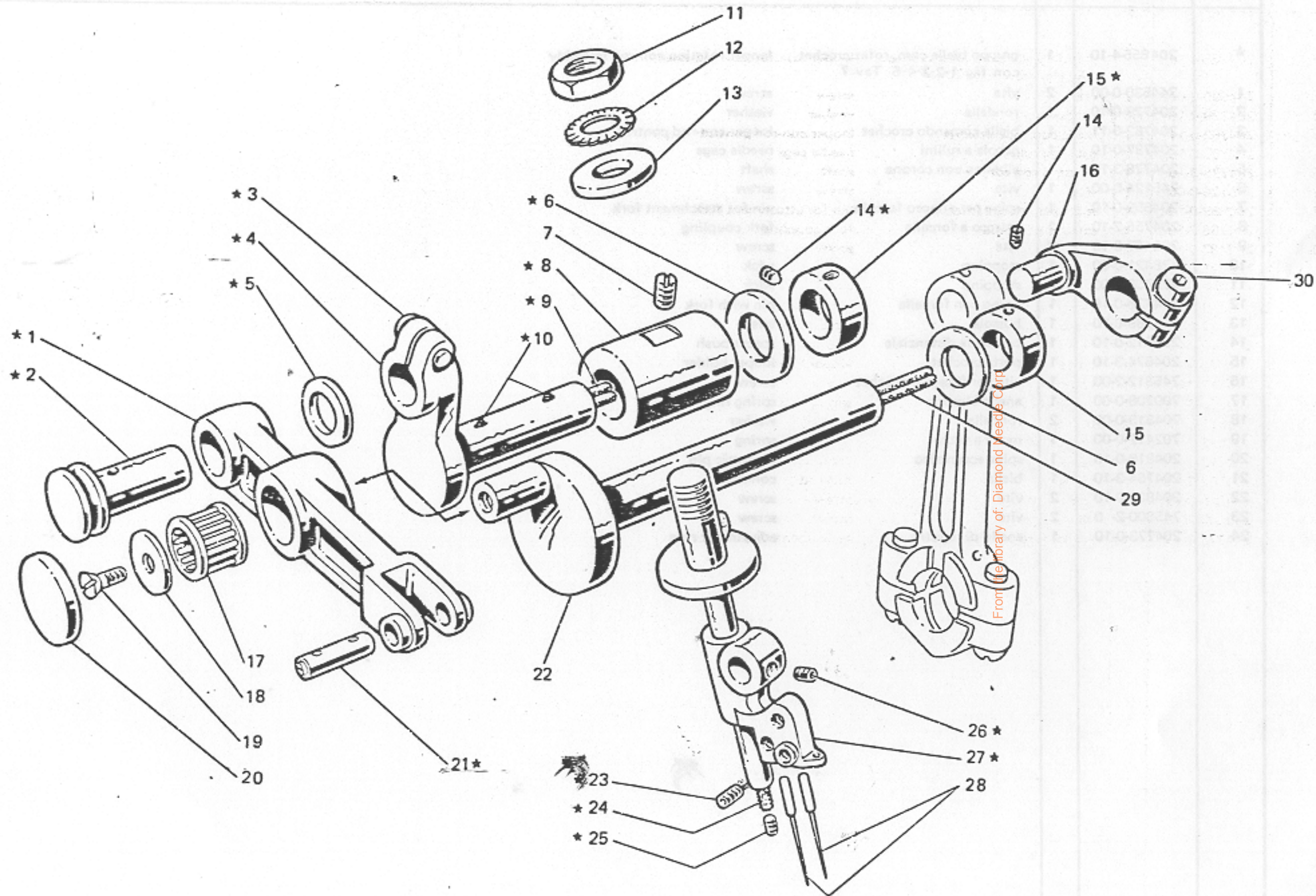
From the library of: Dimech & Middle Corp

Fig. N. Abb. N.	Part. N. Bestell N. Pieze N. Pieza N.	Qt. Anzahl	DESCRIZIONE	DESCRIPTION	BENENNUNG	DESCRIPTION	DESCRIPCION
★	206854-3-00	1	base con bussole e guidafile	base assembly			
1	778832-0-00	1	stoppino	wick			
2	202371-0-10	2	spina	pin			
3	206628-0-00	1	bussola	bush			
4	206651-0-00	2	bussola posteriore	rear bush			
5	204798-0-20	1	vite	screw			
6	206682-0-00	1	bussola intermedia	intermediary bush			
7	206595-0-00	1	bussola sinistra	left bush			
8	204768-0-10	1	bussola	bush			
9	204771-0-10	1	bussola	bush			
10	206856-0-00	1	blocchetto	block			
11	721514-0-00	2	vite	screw			
12	208371-0-10	1	spina	pin			
13	206538-0-00	1	bussola	bush			
14	206629-0-00	1	bussola destra	right bush			
15	206748-0-00	1	tappo ad espansione	plug			
16	204781-0-10	1	tubetto	pipe			
17	204770-0-10	1	bussola	bush			
18	202065-0-10	2	bussola anteriore	front bush			
19	206539-0-00	1	bussola	bush			
20	206740-0-00	2	passafilo	thread guide			
21	206594-0-00	1	bussola	bush			

From the library of: Diamond Needle Corp

Fig. N. Abb. N.	Part. N. Bestell N. Piece N. Pieza N.	Ct. Anzahl	DESCRIZIONE	DESCRIPTION	BENENNUNG	DESCRIPTION	DESCRIPCION
★	204855-4-10	1	gruppo bielle com. rotaz.crochet con fig.1-2-3-4-6 Tav.7	looper rotation con-rod assembly			
1	744530-0-00	2	vite	screw			
2	204729-0-10	.1	rondella	washer			
3	204762-0-11	1	biella comando crochet	looper con-rod control			
4	204787-0-10	1	gabbie a rullini	needle cage			
5	204778-3-10	1	alberino con corona	shaft			
6	745124-0-00	1	vite	screw			
7	204659-0-10	1	spina per attacco forcella	pin for attachment fork			
8	204755-2-10	1	attacco a forcella	fork coupling			
9	202487-0-10	2	vite	screw			
10	778421-0-00	1	stoppino	wick			
11	778408-0-00	1	stoppino	wick			
12	204776-0-10	1	perno con forcella	pin with fork			
13	204769-0-10	1	bussola	bush			
14	204912-0-10	1	bussolina distanziale	spacer bush			
15	204674-3-10	1	porta crochet	looper holder			
16	745812-2-00	1	vite per fissaggio crochet	screw			
17	700208-0-00	1	anello elastico	spring ring			
18	704813-0-00	2	rondella	washer			
19	702412-0-00	1	molle a tazza	spring			
20	204913-0-10	1	spina eccentrico	eccentric pin			
21	204764-3-10	1	biella	con-rod			
22	204800-0-10	2	vite	screw			
23	745800-2-0	2	vite	screw			
24	204773-0-10	1	anello di registro	adjustment ring			

From the library of: Diamond Needle Corp

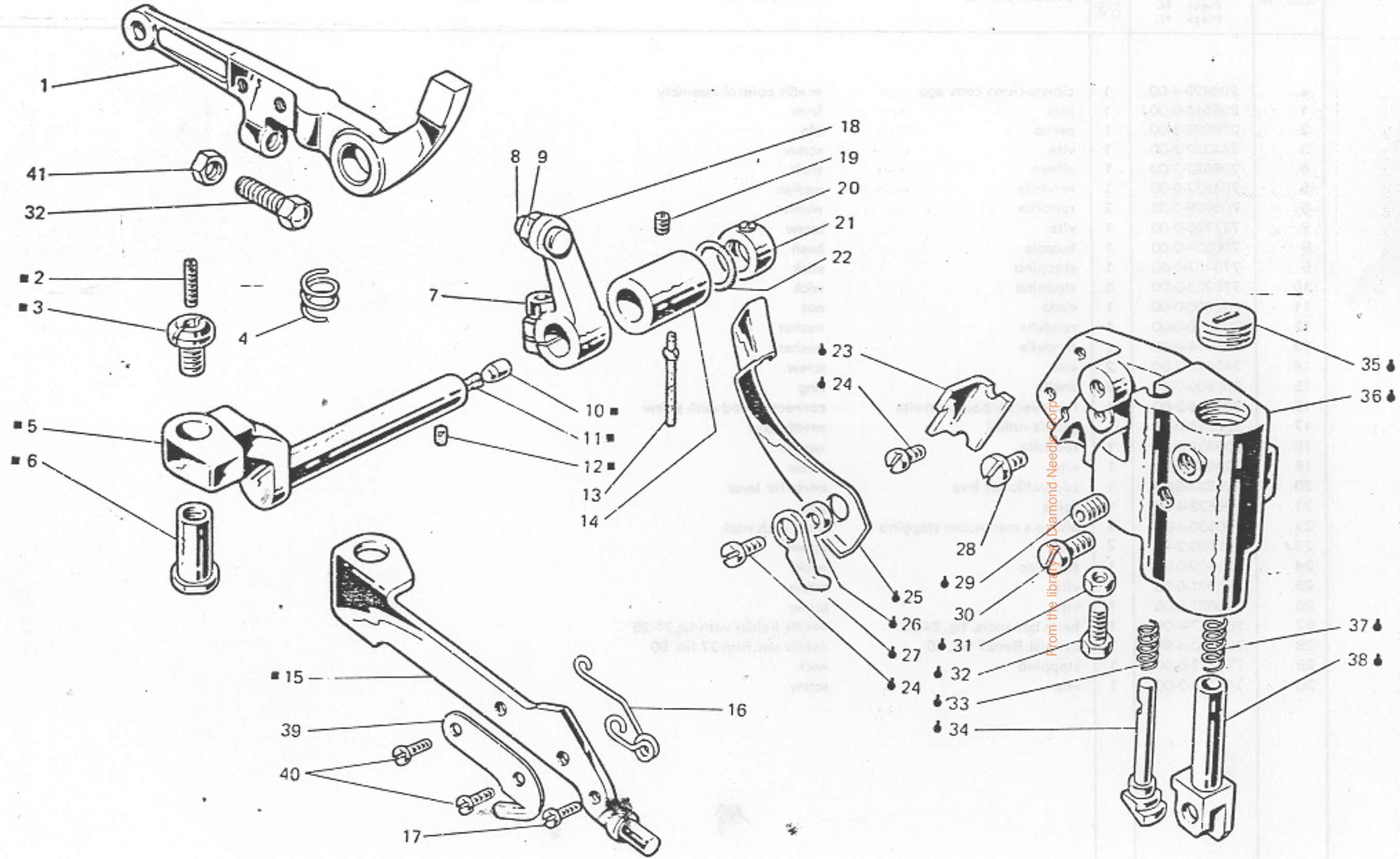


From the library of: Diamond Needle Corp

Fig. N. Abb. N.	Part. N. Bestell N. Piece N. Pieza N.	Qt. Anzahl	DESCRIZIONE	DESCRIPTION	BENENNUNG	DESCRIPTION	DESCRIPCION
★	206429-4-00	1	cinematismo com. ago	needle control assembly			
1	206516-0-00	1	leva	lever			
2	206525-3-00	1	perno	pin			
3	744332-2-00	1	vite	screw			
4	206522-3-00	1	albero	shaft			
5	704837-0-00	1	rondella	washer			
6	705029-0-00	2	rondella	washer			
7	727706-0-00	1	vite	screw			
8	206524-0-00	1	bussola	bush			
9	778407-0-00	1	stoppino	wick			
10	778203-0-00	4	stoppino	wick			
11	206505-0-00	1	dado	nut			
12	703210-0-00	1	rondella	washer			
13	206514-0-00	1	rondella	washer			
14	745812-2-00	2	vite	screw			
15	206606-2-00	2	anello	ring			
16	206540-2-00	1	manovella alb.sup.con vite	connecting rod with screw			
17	206518-0-00	1	gabbia rullini	needle cage			
18	206531-0-00	1	rondella	washer			
19	724032-0-00	1	vite	screw			
20	206533-0-00	1	coperchio per leva	cover for lever			
21	206529-4-00	1	spina	pin			
22	206530-4-00	1	albero a manov.con stoppino	shaft with wick			
23	745800-2-00	2	vite	screw			
24	778400-0-00	1	stoppino	wick			
25	745001-0-00	1	vite	screw			
26	745002-0-00	1	vite	screw			
27	206827-4-00	1	barra con mors. fig. 24-25	needle holder with fig.24-25			
28	765200-6-90	2	ago sist.Rim27 fin. 90	needle sist,Rim 27 fin. 90			
29	778837-0-00	1	stoppino	wick			
30	744334-2-00	1	vite	screw			

From the library of: Diamond Needle Corp

Rumoldi



From the library of Diamond Needle Corp.

Fig. N. Abb. N.	Part. N. Bestell N. Piecce N. Pieza N.	Qt. Anzahl	DESCRIZIONE	DESCRIPTION	BENENNUNG	DESCRIPTION	DESCRIPCION
●	206447-4-01	1	gruppo supp.premistoffa	presser support assembly			
■	206638-4-00	1	leva premistoffa con perno (con fig.2-3-5-6-15)	presser lever with pin (with fig. 2-3-5-6-15)			
1	206630-2-01	1	leva alza premistoffa	lever			
2	729051-2-00	1	vite	screw			
3	202529-0-10	1	perno di fermo	pin			
4	206621-0-00	1	molla	spring			
5	206626-3-00	1	perno (con fig.10-11-12)	shaft (with fig.10-11-12)			
6	206622-0-00	1	spina	pin			
7	744332-2-00	1	vite	screw			
8	727096-0-00	1	vite	screw			
9	746020-2-00	1	dado	nut			
10	301586-0-10	1	pastiglia	plug			
11	778520-0-00	1	stoppino	wick			
12	778203-0-00	1	stoppino	wick			
13	206620-0-00	1	stoppino	wick			
14	206629-0-00	1	bussola	bush			
15	206625-0-00	1	leva	lever			
16	204891-0-11	1	molla premipiedino	spring			
17	203187-0-10	1	vite fissa molla	screw			
18	206623-2-11	1	leva arresto premist.con viti	lever with screws			
19	745812-2-00	1	vite	screw			
20	745114-0-00	2	vite	screw			
21	206644-2-00	1	anello con viti	ring with screws			
22	701006-0-00	2	anello di tenuta	retainer ring			
23	206639-0-00	1	arresto	stopping			
24	721464-2-00	3	vite	screw			
25	206636-0-00	1	leva	lever			
26	206637-0-00	1	distanziale	spacer			
27	206635-0-00	1	nasello	snug			
28	721494-2-00	1	vite	screw			
29	202391-0-10	1	vite	screw			
30	206642-0-00	1	vite	screw			
31	746007-2-00	1	dado	nut			
32	202214-0-10	2	vite	screw			
33	202110-0-10	1	molla	spring			
34	206634-0-00	1	tirante	tie-rod			
35	206633-0-00	1	vite	screw			
36	206640-0-00	1	supporto	support			
37	205021-0-10	1	molla	spring			
38	206632-2-00	1	cannotto	column			
39	202194-0-10	1	piastrina taglia catenella	chain cutting sheet			
40	741433-0-00	2	vite	screw			
41	733505-2-00	1	dado	nut			

From the library of: Diamond Needle Corp

Rimoldi

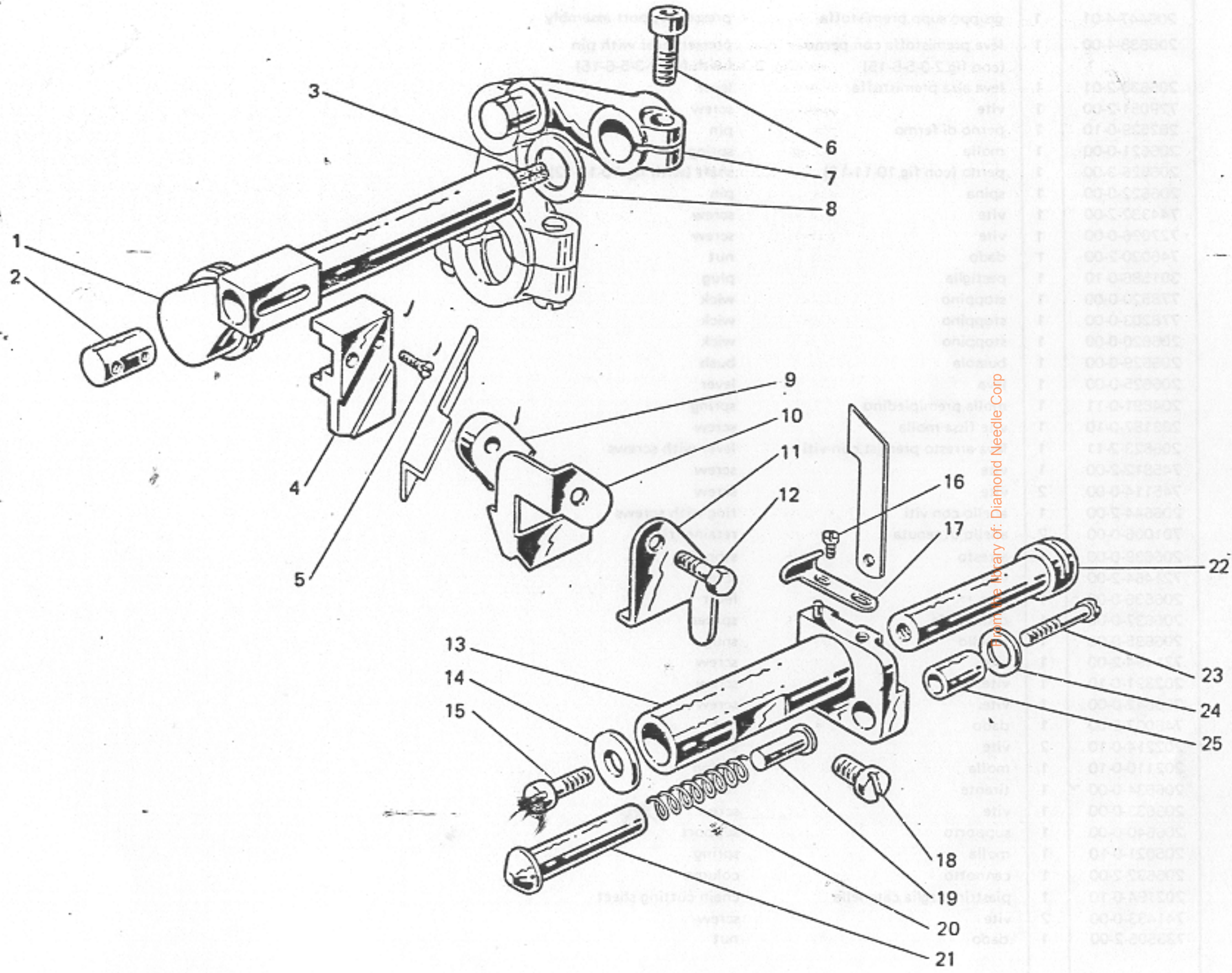
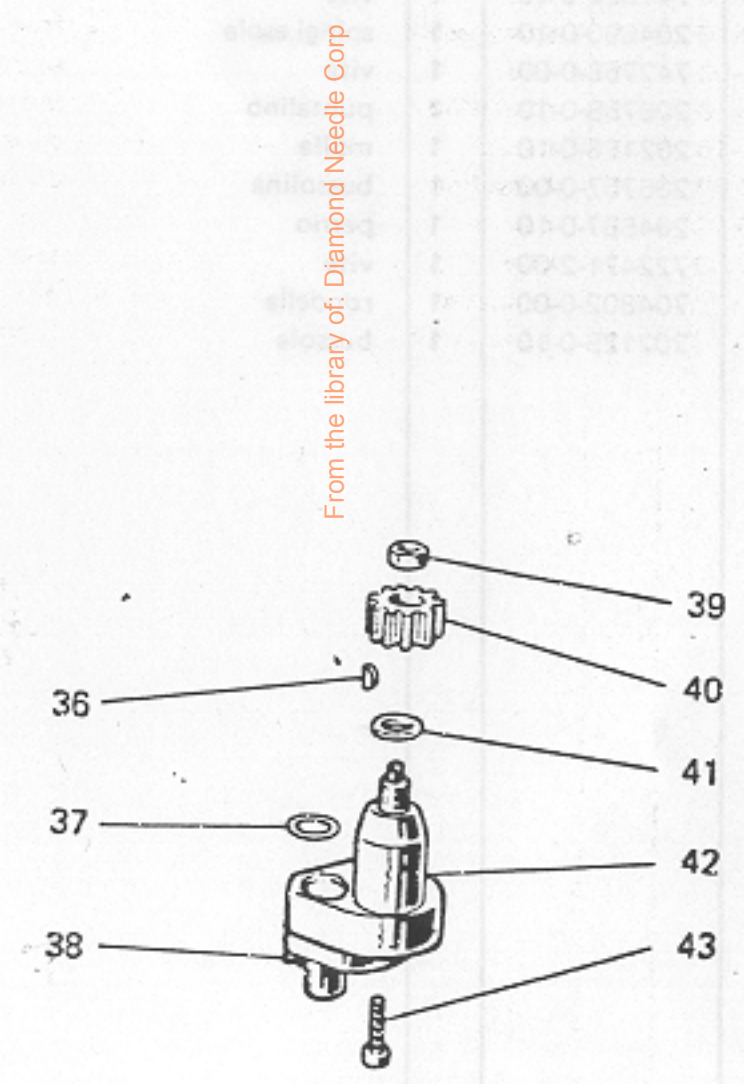
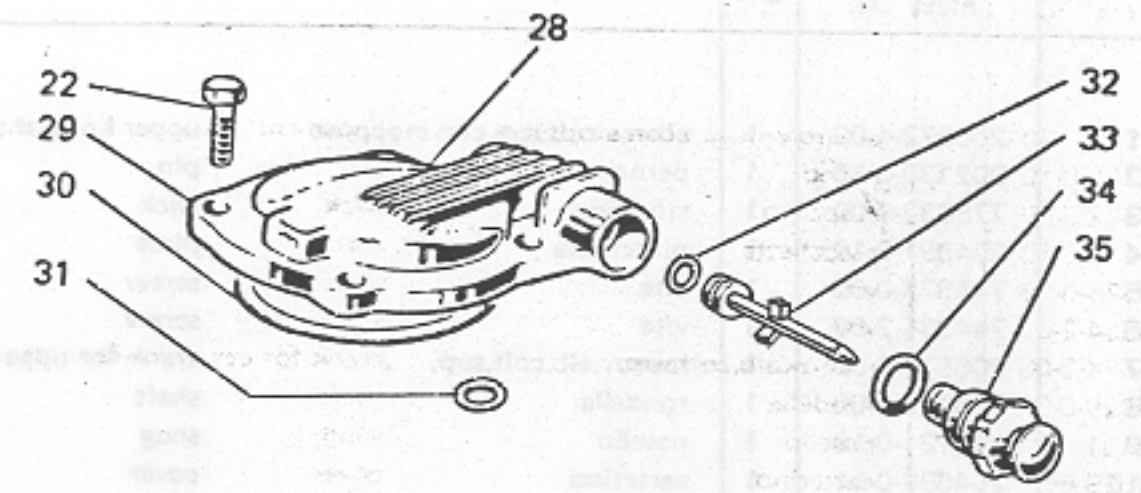
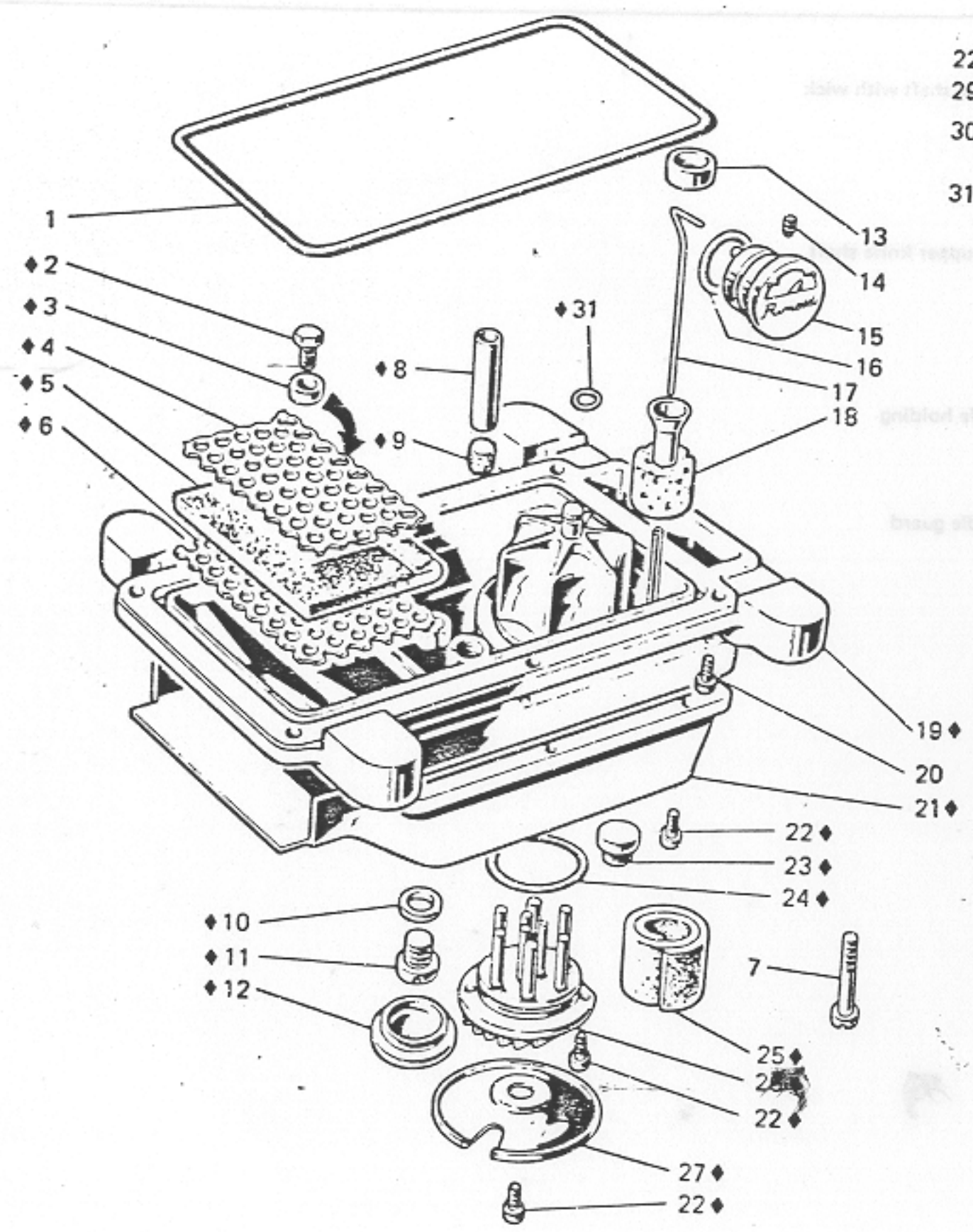


Fig. N. Abb. N.	Part. N. Bestell N. Pieze N. Pieza N.	Qt. Anzahl	DESCRIZIONE	DESCRIPTION	BENENNUNG	DESCRIPTION	DESCRIPCION
1	206572-4-00	1	albero colt.sup.con stoppino	upper knife shaft with wick			
2	202130-0-10	1	perno	pin			
3	778832-0-00	1	stoppino	wick			
4	204681-0-10	1	placchetta	plate			
5	744573-0-00	1	vite	screw			
6	744334-2-00	1	vite	screw			
7	206574-2-00	1	manov.alb.colt.sup.	crank for upper knife shaft			
8	705029-0-00	1	rondella	shaft			
9	202131-0-10	1	nasello	snug			
10	204699-0-11	1	carterino	cover			
11	204691-0-10	1	carterino	cover			
12	204799-0-10	1	vite fissa coltello sup.	screw			
13	204685-2-10	1	porta coltello inferiore	lower knife holding			
14	704409-0-00	1	rondella	washer			
15	742457-2-00	1	vite fissa coltello inferiore	screw			
16	741520-0-10	1	vite	screw			
17	204690-0-10	1	spingi asola	front needle guard			
18	742758-0-00	1	vite	screw			
19	206758-0-10	1	puntalino	pin			
20	202128-0-10	1	molla	spring			
21	206757-0-00	1	bussolina	bush			
22	204687-0-10	1	perno	pin			
23	722471-2-00	1	vite	screw			
24	704802-0-00	1	rondella	washer			
25	202129-0-10	1	bussola	bush			

From the library of: Diamond Needle Corp

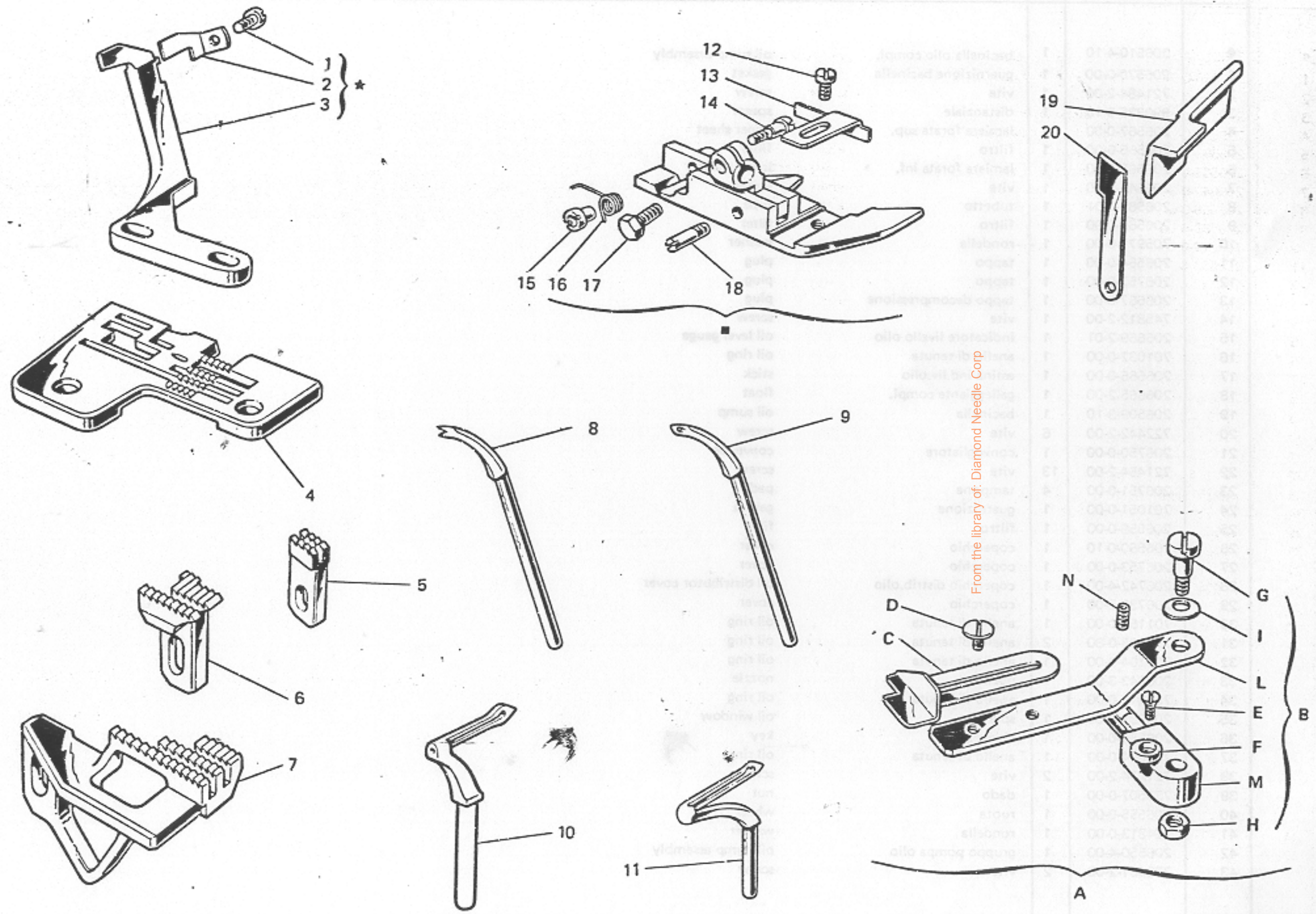


From the library of: Diamond Needle Corp

Fig. N. Abb. N.	Part. N. Bestell N. Piece N. Pieza N.	Qt. Anzahl	DESCRIZIONE	DESCRIPTION	BENENNUNG	DESCRIPTION	DESCRIPCION
◆	206510-4-10	1	bacinella olio compl.	oil sump assembly			
1	206570-0-00	1	guarnizione bacinella	gasket			
2	721484-2-00	1	vite	screw			
3	990335-0-10	1	distanziale	spacer			
4	206567-0-00	1	lamiera forata sup.	upper sheet			
5	206566-0-00	1	filtro	filter			
6	206565-0-00	1	lamiera forata inf.	lower sheet			
7	206642-0-00	1	vite	screw			
8	206568-0-01	1	tubetto	tube			
9	206569-0-00	1	filtro	filter			
10	705977-0-00	1	rondella	washer			
11	206564-0-00	1	tappo	plug			
12	206752-0-00	1	tappo	plug			
13	206667-0-00	1	tappo decompressione	plug			
14	745812-2-00	1	vite	screw			
15	206569-2-01	1	indicatore livello olio	oil level gauge			
16	701032-0-00	1	anello di tenuta	oil ring			
17	206666-0-00	1	astina ind. liv. olio	stick			
18	206665-2-00	1	galleggiante compl.	float			
19	206509-3-10	1	bacinella	oil sump			
20	722442-2-00	6	vite	screw			
21	206750-0-00	1	convogliatore	conveyor			
22	721464-2-00	13	vite	screw			
23	206751-0-00	4	tampone	pad			
24	701051-0-00	1	guarnizione	gasket			
25	206559-0-00	1	filtro	filter			
26	206560-0-10	1	coperchio	cover			
27	206753-0-00	1	coperchio	cover			
28	206742-4-00	1	coperchio distrib. olio	oil distributor cover			
29	206736-2-00	1	coperchio	cover			
30	701151-0-00	1	anello di tenuta	oil ring			
31	701005-0-00	2	anello di tenuta	oil ring			
32	701104-0-00	1	anello di tenuta	oil ring			
33	206743-3-00	1	ugello	nozzle			
34	701113-0-00	1	anello di tenuta	oil ring			
35	206739-0-00	1	spia olio	oil window			
36	206557-0-00	1	chiavetta	key			
37	701004-0-00	1	anello di tenuta	oil ring			
38	721474-2-00	2	vite	screw			
39	733507-0-00	1	dado	nut			
40	206555-0-00	1	ruota	wheel			
41	704813-0-00	1	rondella	washer			
42	206550-4-00	1	gruppo pompa olio	oil pump assembly			
43	722481-2-00	2	vite	screw			

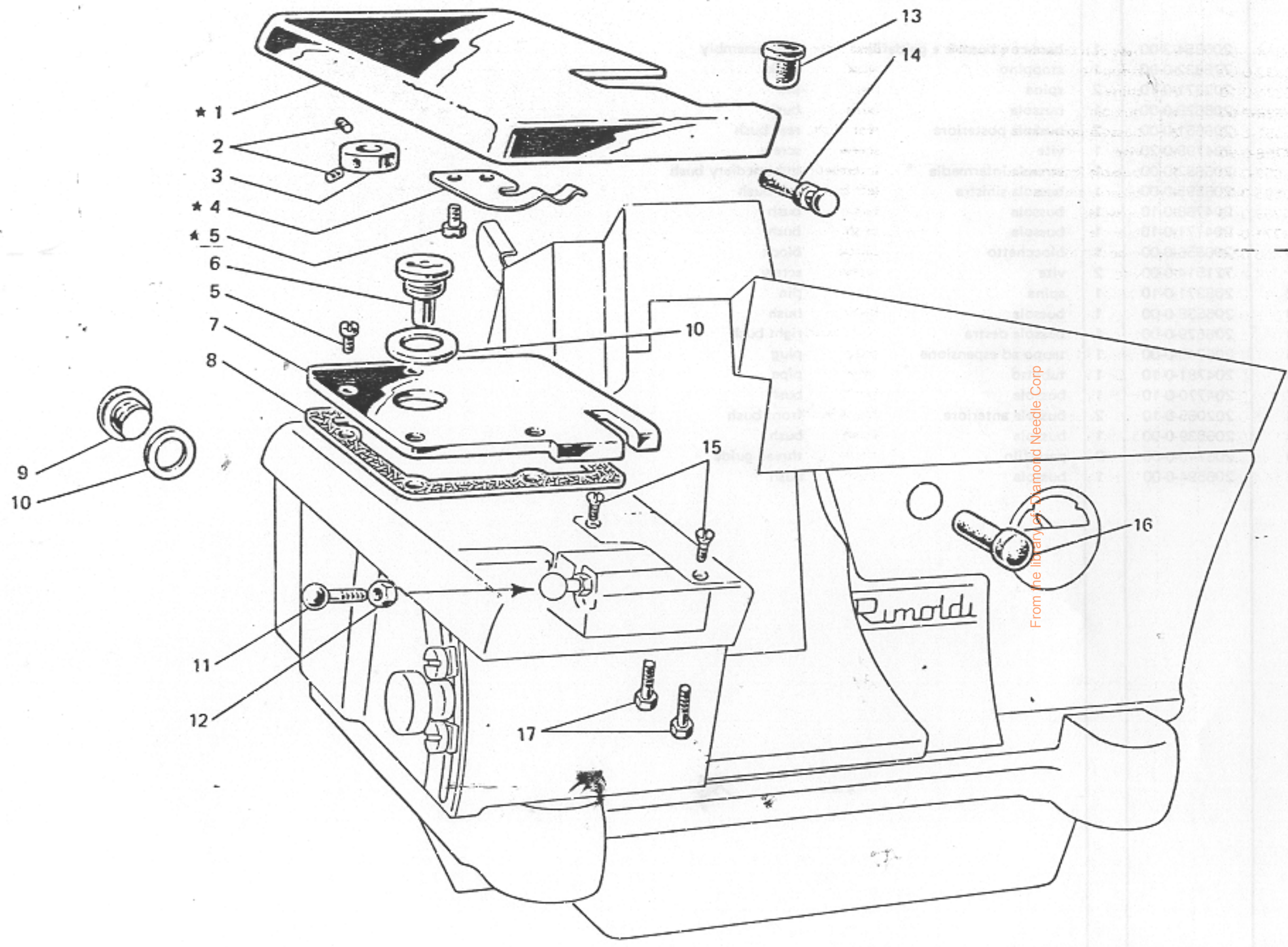
From the library of: Diamond Needle Corp

Rimoldi



From the library of: Diamond Needle Corp

Rumolde

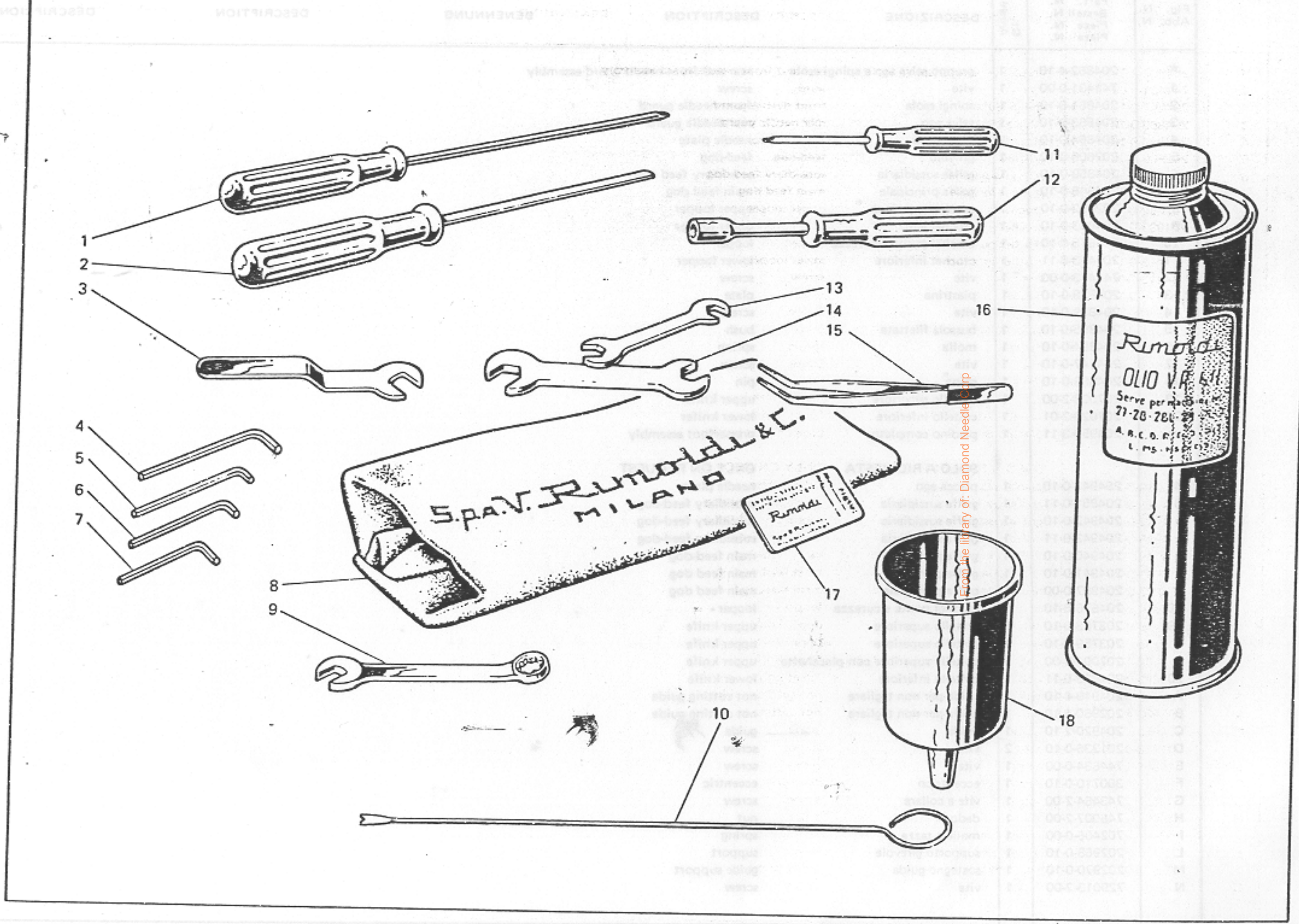


From the library of Diamond Needle Corp

Fig. N. Abb. N.	Part. N. Bestell N. Pieze N. Pieza N.	Qt. Anzahl	DESCRIZIONE	DESCRIPTION	BENENNUNG	DESCRIPTION	DESCRIPCION
★	204862-4-10	1	gruppo salva ago e spingi asola	rear and front needle guard assembly			
1	741431-0-00	1	vite	screw			
2	204861-0-10	1	spingi asola	front needle guard			
3	204863-0-10	1	salva ago	rear needle guard			
4	204864-0-10	1	placca ago	needle plate			
5	202609-0-10	1	griffino	feed-dog			
6	204850-0-10	1	griffa sussidiaria	subsidiary feed dog			
7	204846-0-10	1	griffa principale	main feed dog			
8	202092-0-10	1	crochet sup.cieco	upper looper			
9	204033-0-10	1	crochet sup.	upper looper			
10	204675-0-10	1	crochet punto sicurezza	looper			
11	202413-0-11	1	crochet inferiore	lower looper			
12	741413-0-00	1	vite	screw			
13	204878-0-10	1	piastrina	plate			
14	204889-0-10	1	vite	screw			
15	204895-0-10	1	bussola filettata	bush			
16	204894-0-10	1	molla	spring			
17	204947-0-10	1	vite	screw			
18	204869-0-10	1	spina	pin			
19	207003-2-00	1	coltello superiore	upper knife			
20	207020-2-01	1	coltello inferiore	lower knifer			
■	204950-3-11	1	pedino completo	presserfoot assembly			
			SOLO A RICHIESTA	ONLY ON REQUEST			
4	204948-0-10	1	placca ago	needle plate			
6	204851-0-11	1	griffa sussidiaria	subsidiary feed-dog			
	204942-0-10	1	griffa sussidiaria	subsidiary feed-dog			
	204943-0-11	1	griffa sussidiaria	subsidiary feed-dog			
7	204940-0-10	1	griffa principale	main feed-dog			
	204941-0-10	1	griffa principale	main feed dog			
	204997-0-00	1	griffa principale	main feed dog			
10	204676-0-10	1	crochet punto sicurezza	looper -			
19	203783-0-10	1	coltello superiore	upper knife			
	203759-0-10	1	coltello superiore	upper knife			
	207004-2-00	1	coltello superiore con placchetta	upper knife			
20	204693-0-11	1	coltello inferiore	lower knife			
A	204919-4-10	1	guida per non tagliare	not cutting guide			
B	202960-4-10	1	guida per non tagliare	not cutting guide			
C	204920-2-10	1	guida	guide			
D	201236-0-10	2	vite	screw			
E	744634-0-00	1	vite	screw			
F	300710-0-10	1	eccentrico	eccentric			
G	743464-2-00	1	vite a collare	screw			
H	746007-2-00	1	dado	nut			
I	702406-0-00	1	molla a tazza	spring			
L	202968-0-10	1	supporto girevole	support			
M	202970-0-10	1	sostegno guida	guide support			
N	729013-2-00	1	vite	screw			

From the library of: Diamond Needle Corp

Rumoldi

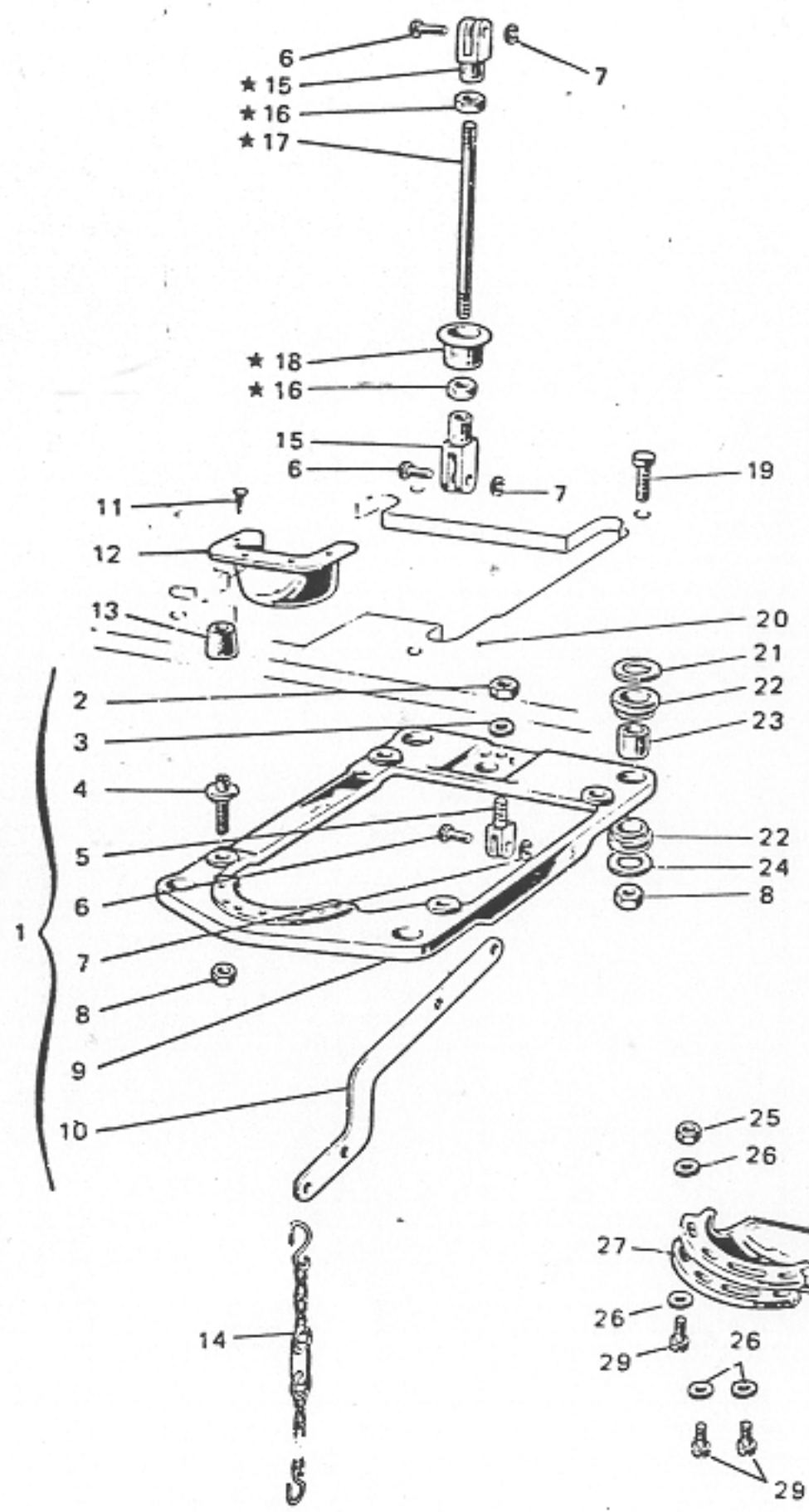


From the library of: Diamond Needle Corp

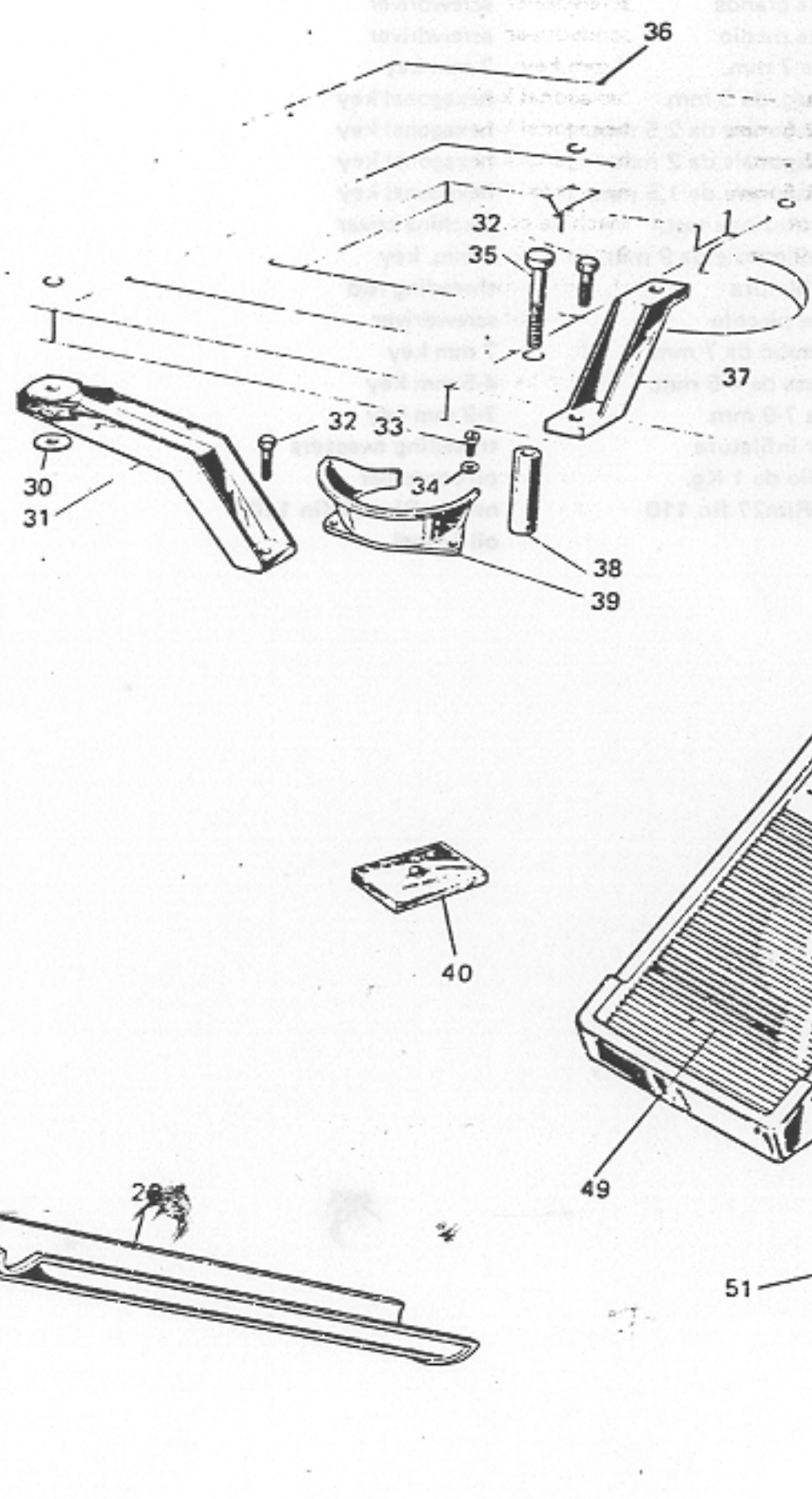
Fig. N. Abb. N.	Part. N. Bestell N. Piece N. Pieza N.	Ot. Anzahl	DESCRIZIONE	DESCRIPTION	BENENNUNG	DESCRIPTION	DESCRIPCION
1	990180-0-10	1	cacciavite grande	screwdriver			
2	990181-0-10	1	cacciavite medio	screwdriver			
3	990327-0-10	1	chiave da 7 mm.	7 mm key			
4	990639-0-10	1	chiave esag. da 3 mm.	hexagonal key			
5	990685-0-10	1	chiave esagonale da 2,5 mm.	hexagonal key			
6	990325-0-10	1	chiave esagonale da 2 mm.	hexagonal key			
7	990474-0-10	1	chiave esagonale da 1,5 mm.	hexagonal key			
8	990183-0-12	1	cuffia protezione testa	machine cover			
9	990622-0-10	1	chiave poligonale da 9 mm.	9 mm. key			
10	990577-0-10	1	astina infilatura	threading rod			
11	990182-0-10	1	cacciavite piccolo	screwdriver			
12	990324-0-10	1	chiave a tubo da 7 mm.	7 mm key			
13	990585-0-10	1	chiave fissa da 4-5 mm.	4-5 mm key			
14	990174-0-10	1	chiave da 7-9 mm.	7-9 mm key			
15	990176-0-10	1	pinza per infilatura	threading tweezers			
16	990074-1-11	1	lattine olio da 1 Kg.	oil container			
17	765200-6-11	10	aghi sist. Rim27 fin 110	needle Rim 27 fin 110			
18	990985-0-00	1	imbuto	oil funnel			

From the library of: Diamond Needle Corp

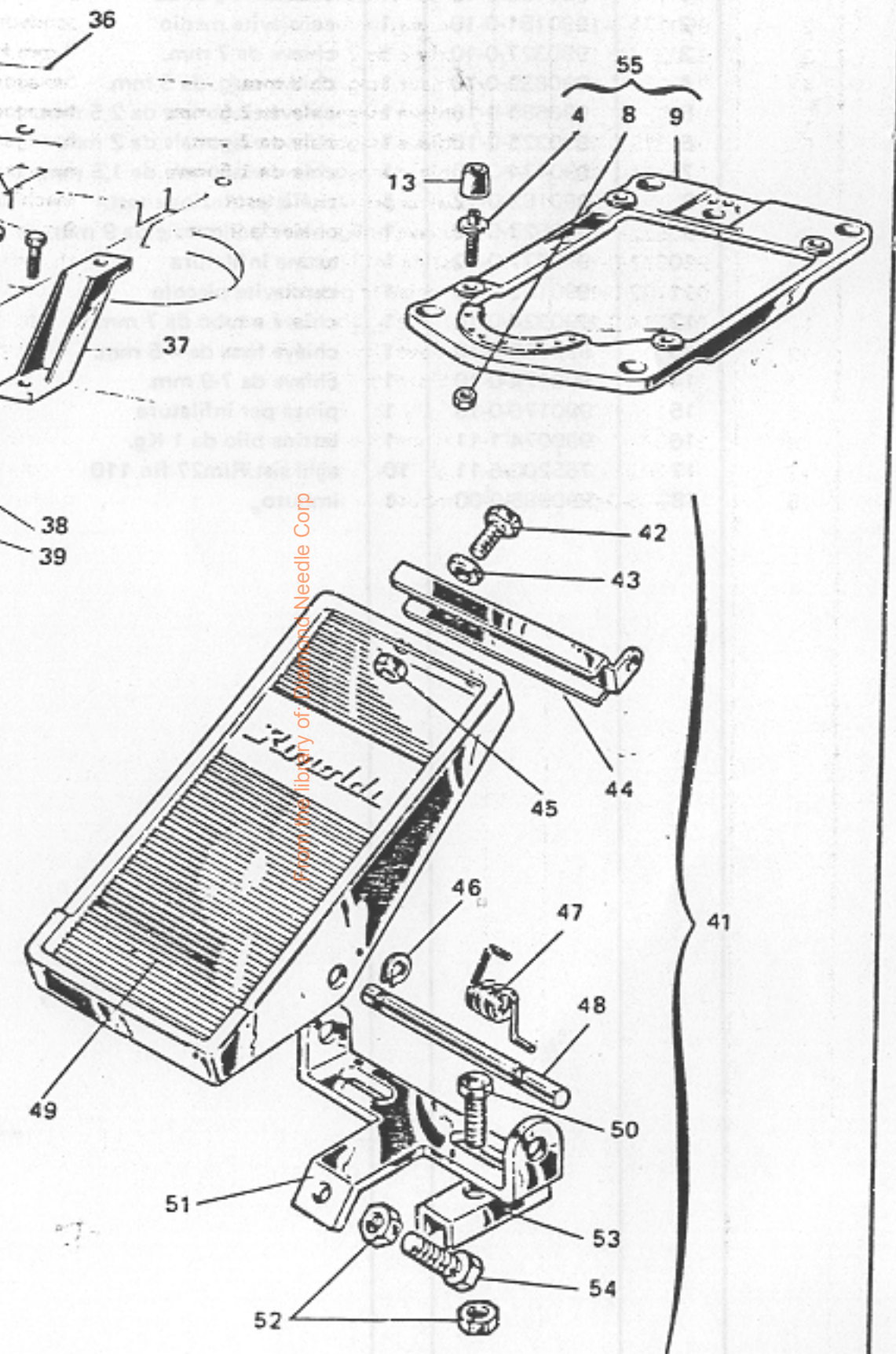
PIAZZAMENTO NORMALE.
NORMAL SETTING



PIAZZAMENTO INCASSATO
SUBMERGED SETTING



PER PIAZZAMENTO CON MOTORE QUICK STOP TIPO D
FOR SETTING WITH QUICK STOP ENGINE TYPE D



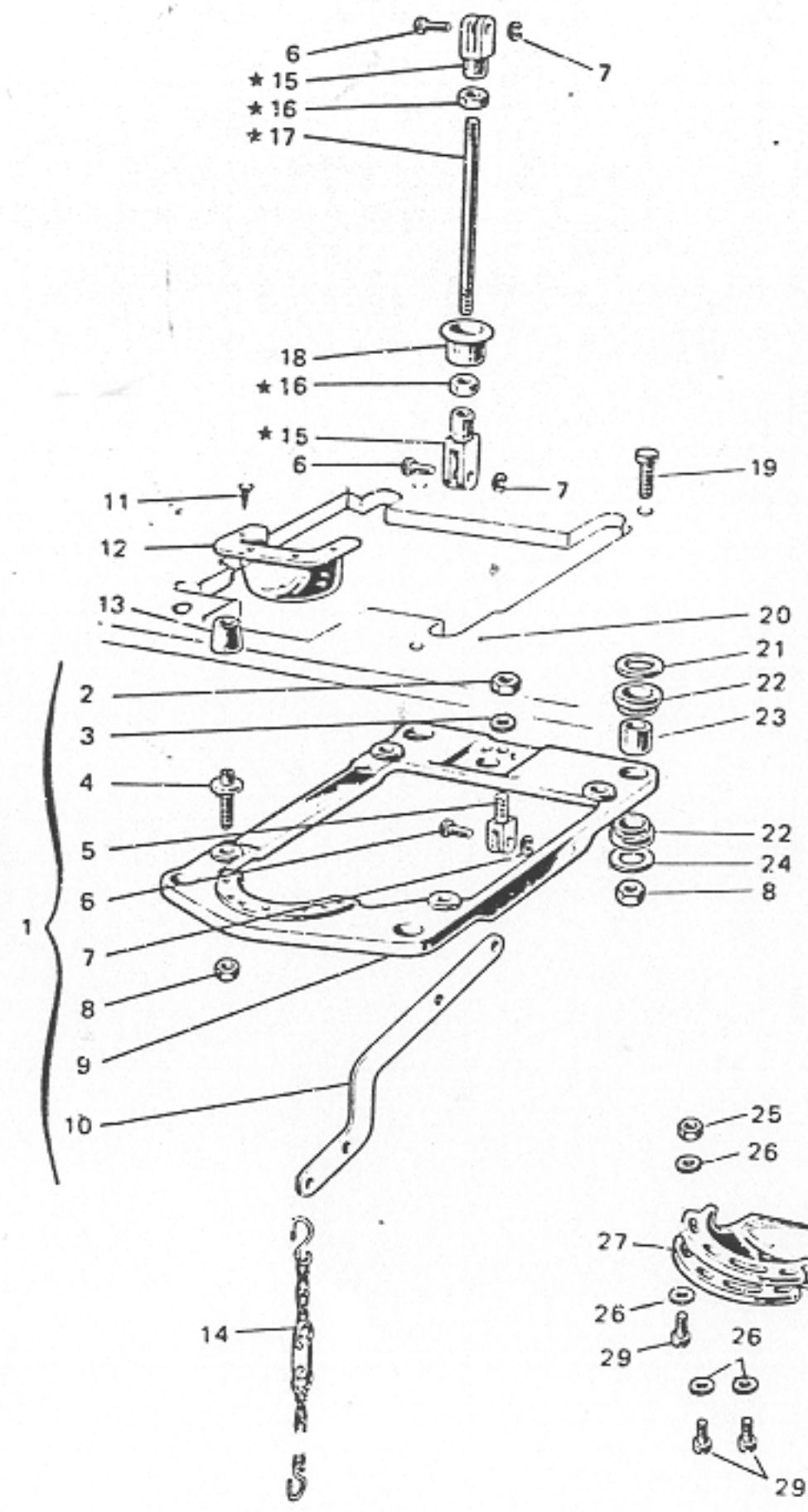
84

HH

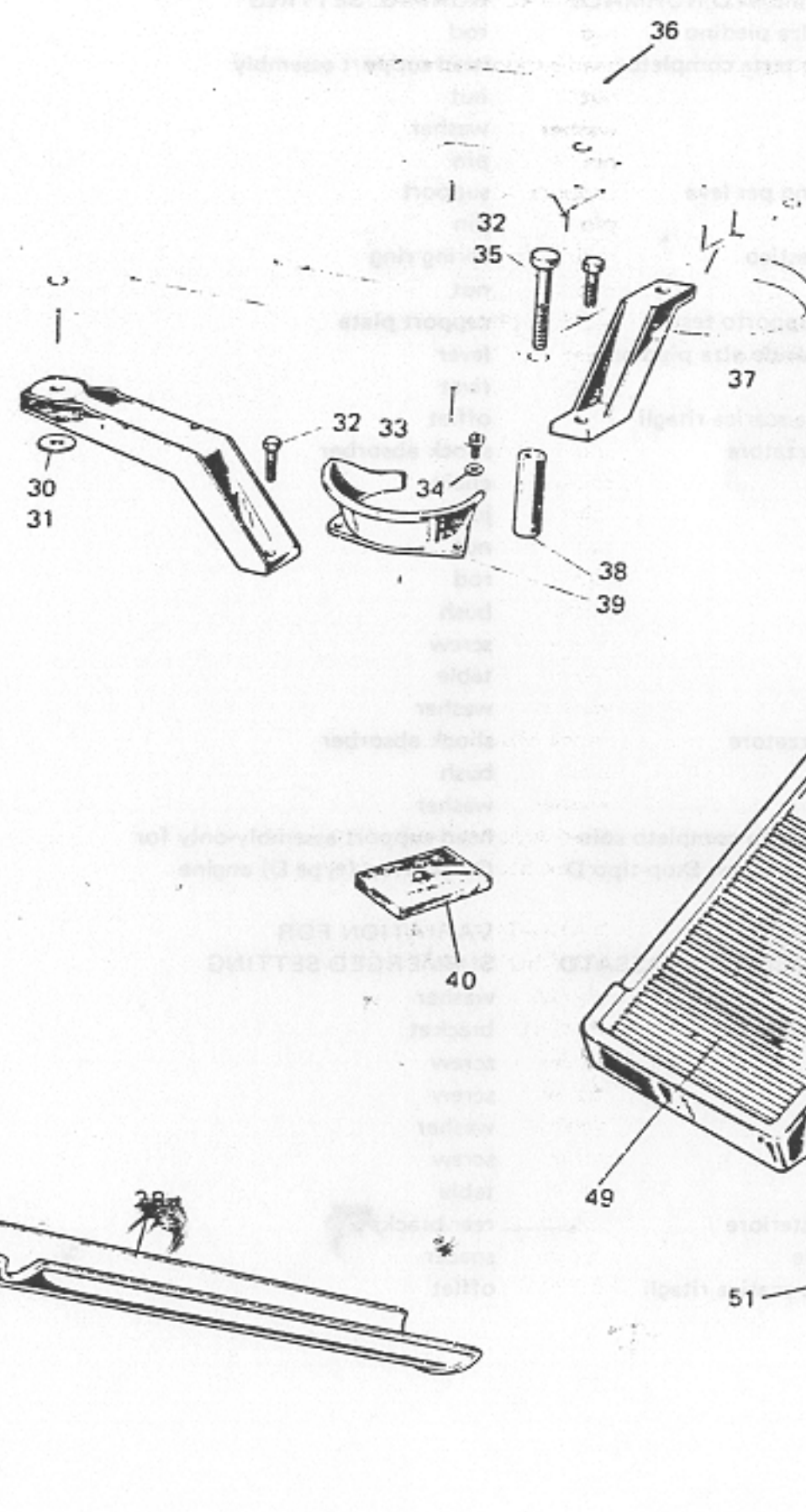
Fig. N. Abb. N.	Pert. N. Bestall N. Piece N. Pieza N.	Qt. Anzahl	DESCRIZIONE	DESCRIPTION	BENENNUNG	DESCRIPTION	DESCRIPCION
			PIAZZAMENTO NORMALE	NORMAL SETTING			
*	990984-4-00	1	tirante alza piedino	rod			
1	990986-4-00	1	supporto testa completo	head support assembly			
2	746409-2-00	1	dado	nut			
3	704424-2-00	1	rondella	washer			
4	900694-0-11	4	perno	pin			
5	990314-0-00	1	supportino per leva	support			
6	990311-0-10	3	perno	pin			
7	700205-0-00	3	anello elastico	spring ring			
8	733008-2-00	8	dado	nut			
9	990981-0-00	1	piastre supporto testa	support plate			
10	990316-0-10	1	leva comando alza piedino	lever			
11	900201-0-10	4	chiodino	rivet			
12	991187-0-00	1	bocchetta scarica ritagli	offlet			
13	990982-0-00	4	ammortizzatore	shock absorber			
14	990179-4-11	1	catenella	chain			
15	990310-0-10	2	giunto	joint			
16	746402-0-00	2	dado	nut			
17	990983-0-00	1	tirante	rod			
18	900204-0-10	1	bussola	bush			
19	722905-2-00	4	vite	screw			
20	901120-2-00	1	tavola	table			
21	704346-2-00	4	rondella	washer			
22	901101-0-00	8	ammortizzatore	shock absorber			
23	901102-0-00	4	bussola	bush			
24	704345-2-00	4	rondella	washer			
55	990987-4-00	1	supporto testa completo solo per motore Quick Stop-tipo D	head support assembly-only for Quick Stop (type D) engine			
			VARIANTE PER PIAZZAMENTO INCASSATO	VARIATION FOR SUBMERGED SETTING			
30	704536-0-00	2	rondella	washer			
31	901105-0-00	1	staffa laterale	bracket			
32	720566-2-00	2	vite	screw			
33	721475-2-00	2	vite	screw			
34	704409-2-00	2	rondella	washer			
35	722917-2-00	2	vite	screw			
36	901123-4-00	1	tavola	table			
37	901104-0-00	1	staffa posteriore	rear bracket			
38	901103-0-00	2	distanziale	spacer			
39	991188-0-00	1	bocchetta scarica ritagli	offlet			

From the library of: Diamond Needle Corp

PIAZZAMENTO NORMALE
NORMAL SETTING



PIAZZAMENTO INCASSATO
SUBMERGED SETTING



PER PIAZZAMENTO CON MOTORE QUICK STOP TIPO D
FOR SETTING WITH QUICK STOP ENGINE TYPE D

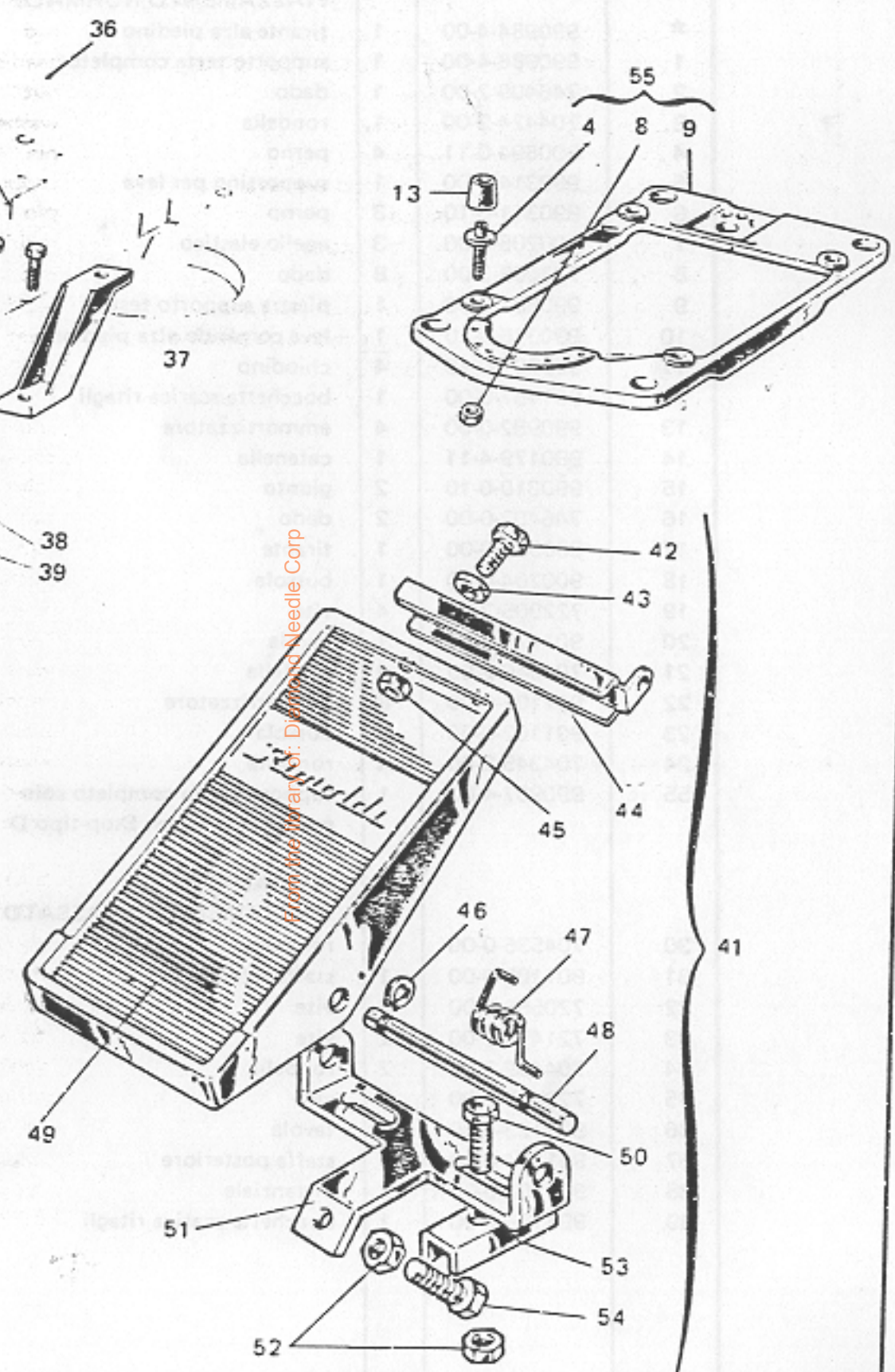
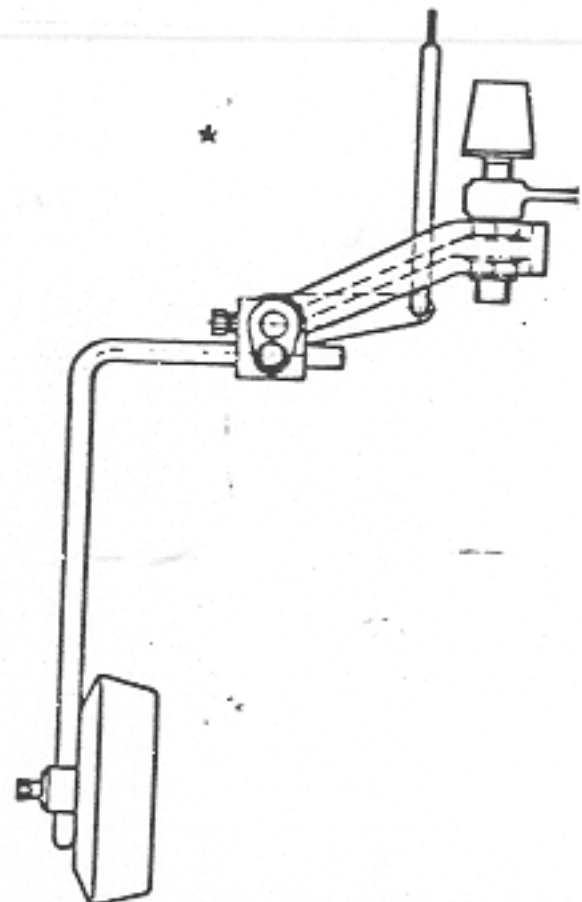


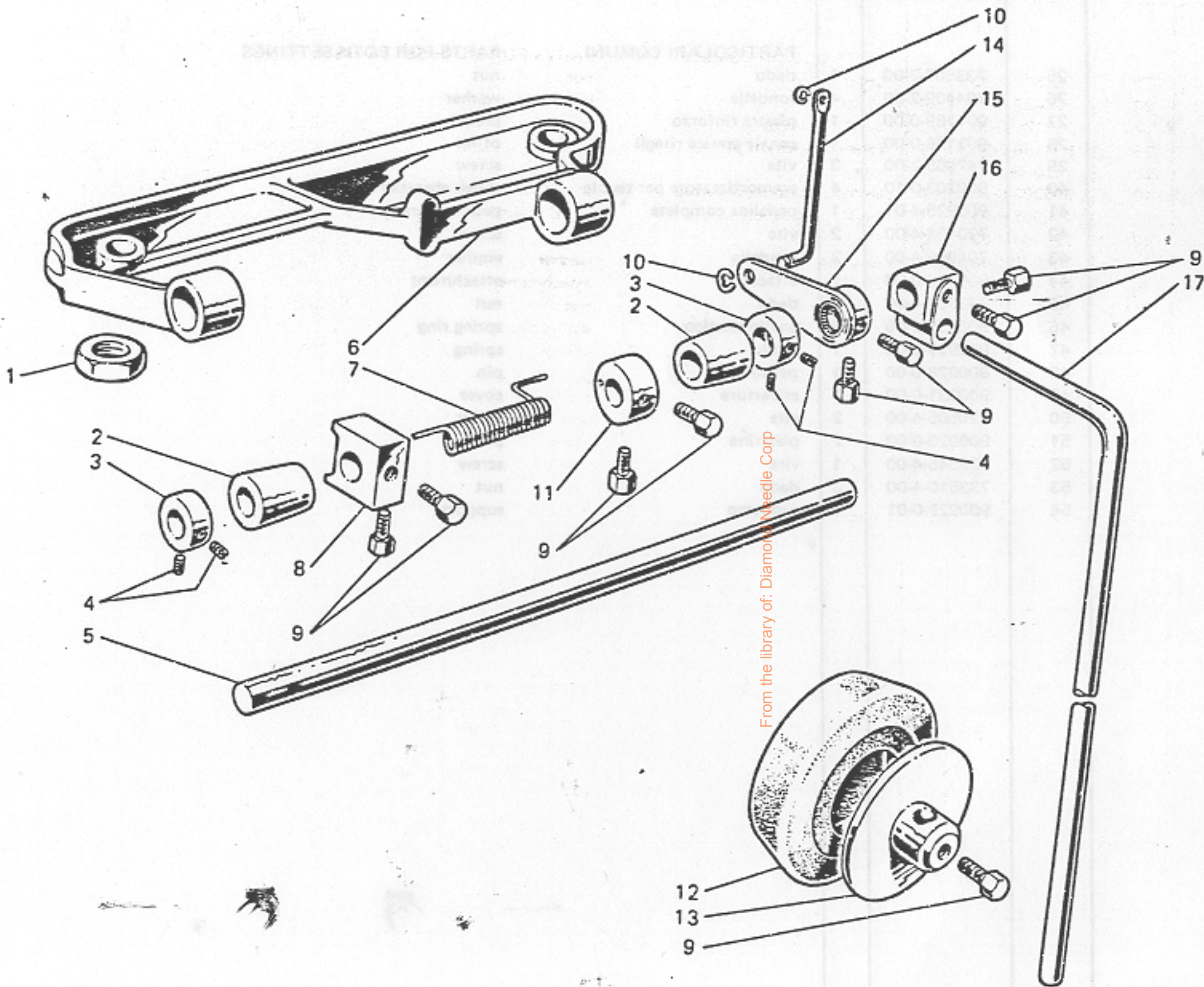
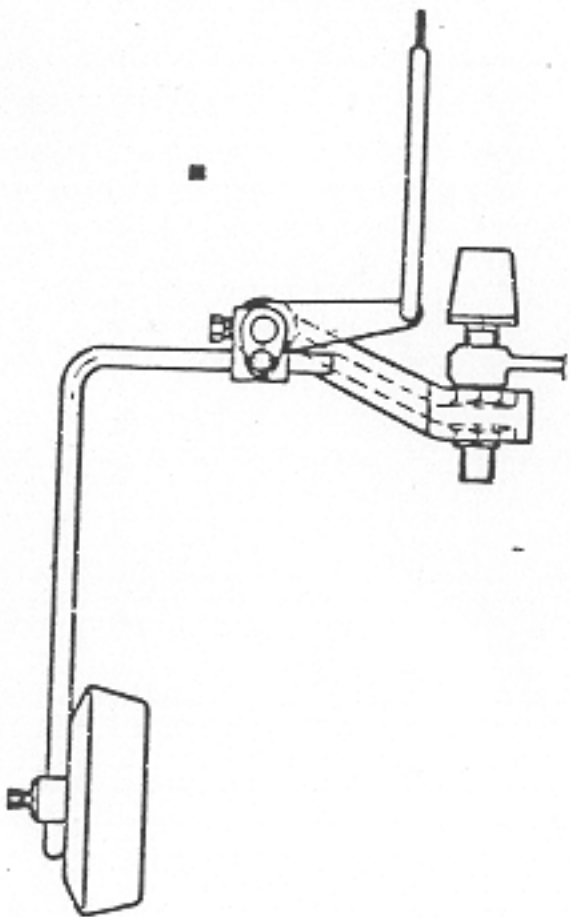
Fig. N. Abb. N.	Part. N. Bestell N. Piece N. Pieza N.	Qt. Anzahl	DESCRIZIONE	DESCRIPTION	BENENNUNG	DESCRIPTION	DESCRIPCION
			PARTICOLARI COMUNI	PARTS FOR BOTH SETTINGS			
25	733507-2-00	1	dado	nut			
26	704409-2-00	4	rondella	washer			
27	991189-0-00	1	piastra rinforzo	plate			
28	991186-0-00	1	canale scarica ritagli	offlet			
29	742068-2-00	3	vite	screw			
40	900203-0-10	4	ammortizzatore per tavola	shock absorber			
41	900925-4-01	1	pedalina completa	pedal assembly			
42	720464-4-00	2	vite	screw			
43	704009-4-00	2	rondella	washer			
44	900926-0-00	1	attacco	attachment			
45	733508-4-00	2	dado	nut			
46	900918-0-00	2	anello elastico	spring ring			
47	900927-0-00	1	molla	spring			
48	900928-0-00	1	perno	pin			
49	900931-0-00	1	copertura	cover			
50	720505-4-00	2	vite	screw			
51	900920-0-00	2	piastriña	plate			
52	720545-4-00	1	vite	screw			
53	733510-4-00	3	dado	nut			
54	900929-0-01	1	supporto	support			

From the library of: Diamond Needle Corp

PIAZZAMENTO NORMALE
NORMAL SETTING

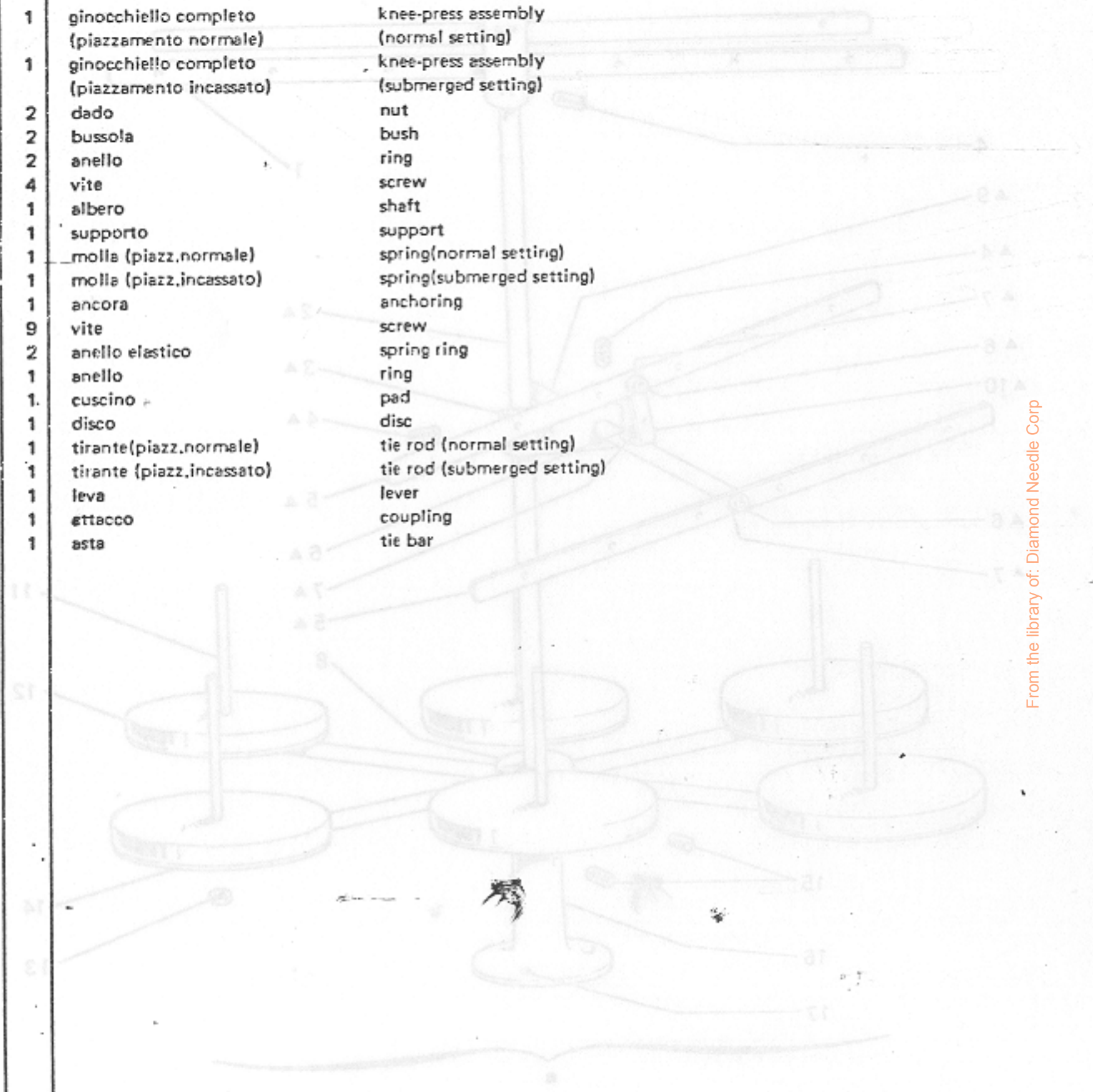


PIAZZAMENTO INCASSATO
SUBMERGED SETTING

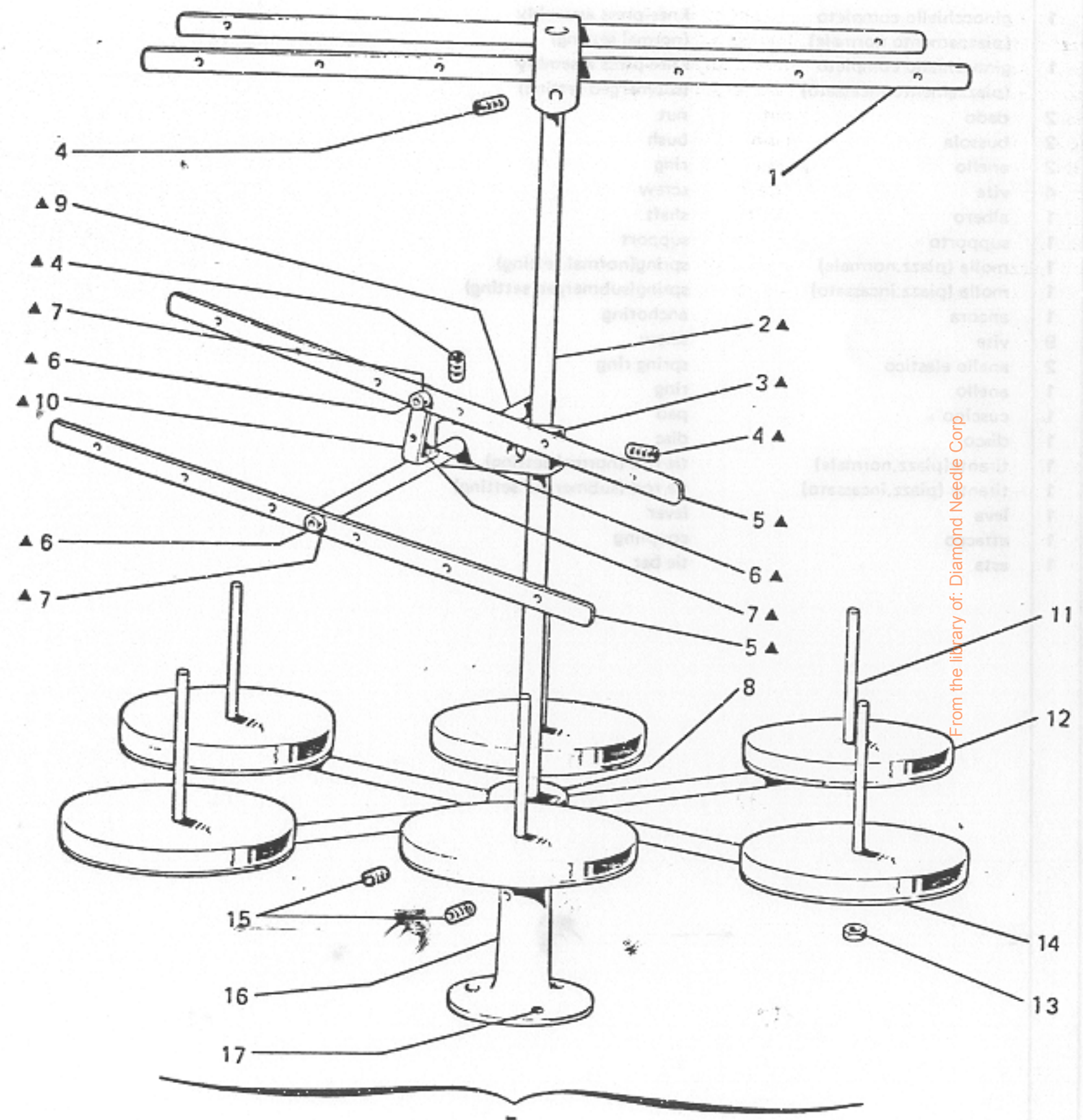


From the library of: Diamond Needle Corp

Fig. N. Abb. N.	Part. N. Bestell N: Piece N. Pieza N.	Qt. Anzahl	DESCRIZIONE	DESCRIPTION	BENENNUNG	DESCRIPTION	DESCRIPCION
*	920245-4-00	1	ginocchiello completo (piazzamento normale)	knee-press assembly (normal setting)			
■	920246-4-00	1	ginocchiello completo (piazzamento incassato)	knee-press assembly (submerged setting)			
1	733008-2-00	2	dado	nut			
2	920231-0-00	2	bussola	bush			
3	202395-0-10	2	anello	ring			
4	727024-0-00	4	vite	screw			
5	920230-0-00	1	albero	shaft			
6	920241-0-00	1	supporto	support			
7	920235-0-00	1	molla (piazz.normale)	spring(normal setting)			
	920106-0-10	1	molla (piazz.incassato)	spring(submerged setting)			
8	920128-0-00	1	ancora	anchoring			
9	740035-0-00	9	vite	screw			
10	700206-0-00	2	anello elastico	spring ring			
11	920114-0-10	1	anello	ring			
12	920113-0-10	1	cuscinio	pad			
13	920105-0-10	1	disco	disc			
14	920236-0-00	1	tirante(piazz.normale)	tie rod (normal setting)			
	920237-0-00	1	tirante (piazz.incassato)	tie rod (submerged setting)			
15	920232-2-00	1	leva	lever			
16	920103-0-10	1	attacco	coupling			
17	920490-0-10	1	asta	tie bar			



From the library of: Diamond Needle Corp



From the library of: Diamond Needle Corp

Fig. N. Abb. N.	Part. N. Bestell N. Piece N. Pieza N.	Qt. Anzahl	DESCRIZIONE	DESCRIPTION	BENENNUNG	DESCRIPTION	DESCRIPCION
★	206723-4-00	1	piano di lavoro completo	working assembly			
1	206722-2-00	1	piano di lavoro	working plate			
2	745126-2-00	2	vite	screw			
3	202393-0-10	1	anello	ring			
4	206716-0-00	1	molla	spring			
5	721433-2-00	6	vite	screw			
6	206727-0-00	1	tappo carico olio	plug			
7	206725-2-00	1	coperchio cinematismo	cover			
8	206726-0-00	1	guarnizione	gasket			
9	202026-0-10	1	tappo	plug			
10	705957-0-00	2	rondella cartone	washer			
11	206715-0-00	1	vite testa sferica	screw			
12	746007-2-00	1	dado	nut			
13	206744-0-00	1	tampone	pad			
14	206534-0-00	1	tappo	plug			
15	744742-0-00	2	vite per placca ago	screw for needle plate			
16	202398-0-10	1	tappo	plug			
17	740230-2-00	2	vite fissa salvo ago e spingi asola	screw for rear and front needle guard			

From the library of: Diamond Needle Corp

Fig. N. Abb. N.	Part. N. Bestell N. Pieze N. Pieza N.	Qt. Anzahl	DESCRIZIONE	DESCRIPTION	BENENNUNG	DESCRIPTION	DESCRIPCION
1	991140-2-00	1	telaietto	frame			
2	991113-0-00	1	asta principale	main rod			
3	991128-0-00	1	blocchetto	block			
4	729034-2-00	3	vite	screw			
5	991137-2-00	2	tofoletto con bussolo	frame with bush			
6	722431-2-00	3	vite	screw			
7	703005-0-00	3	rondella	washer			
8	991144-3-00	1	mozzo con aste	hub with pins			
9	991106-0-00	1	asta	rod			
10	991107-0-00	1	squadretta	bracket			
11	991111-0-00	6	astina	rod			
12	991179-0-00	6	disco antivibrante	disc			
13	733508-2-00	12	dado	nut			
14	991112-0-00	6	piatto	plate			
15	729054-2-00	3	vite	screw			
16	991114-0-00	1	basetta	base			
17	731107-0-00	3	vite a legno	screw			
■	991135-6-00	1	gruppo porta bobine a 6 posti	bobbin carrier assembly			
▲	991136-4-00	1	telaietto supplementare completo	supplementary frame assembly			

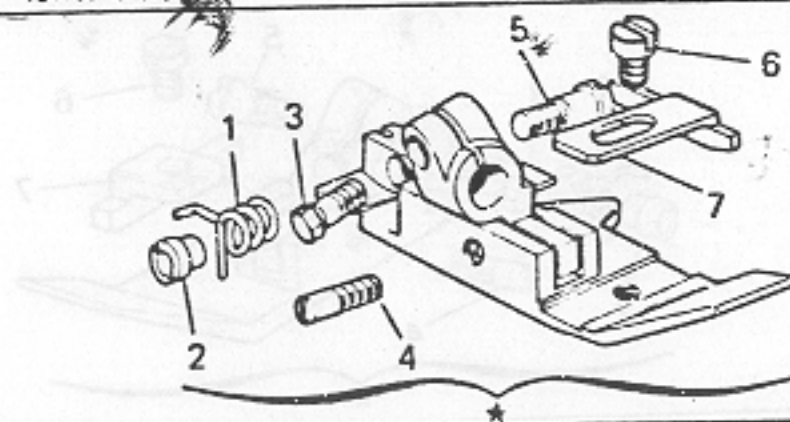
Fig. N. Abb. N.	Pert. N. Bestell N. Piece N. Pieza N.	Qt. Anzsh	DESCRIZIONE	DESCRIPTION	BENENNUNG	DESCRIPTION	DESCRIPCION
33	Tav. 3 781301-0-20	1	targhetta classe testa	head class plate			
10	Tav. 4 724432-0-00	1	vite	screw			
28	Tav. 9 765200-6-80	2	ago sist. RIM 27 fin. 80	needle syst. RIM 27 size 80			
4	Tav. 13 204695-0-11	1	placca ago largh. costa 3,5 mm.	needle plate bight width 3,5 mm.			
6	204668-0-10	1	griffa sussidiaria	subsidiary feed dog			
7	204666-0-10	1	griffa principale	main feed dog			
17	Tav. 14 765200-6-80	10	ago sist. RIM 27 fin.80	needle syst. RIM 27 size 80			
			SOLO A RICHIESTA	ONLY ON REQUEST			
4	Tav. 13 204696-0-10	1	placca ago largh. costa 7 mm.	needle plate bight width 7 mm.			
6	204809-0-00	1	placca ago largh. costa 5,5 mm.	needle plate bight width 5,5 mm.			
	204808-2-11	1	griffa sussid. ricop. in Vulkollan	subsidiary feed dog			
	204999-0-00	1	griffa sussidiaria	subsidiary feed dog			
	205536-0-00	1	griffa sussid. (cromatura dura)	subsidiary feed dog			
7	204806-2-11	1	griffa princ. ricop. in Vulkollan	main feed dog			
	204998-0-00	1	griffa principale	main feed dog			
	205537-0-00	1	griffa principale (cromat. dura)	main feed dog			
19	203783-0-10	1	coltello superiore	upper knife			
	203759-0-10	1	coltello superiore	upper knife			
	207004-2-00	1	coltello sup. con placchetta	upper knife			
20	204693-0-11	1	coltello inferiore	lower knife			

From the library of: Diamond Needle Corp

OS VAT

Rumoldi

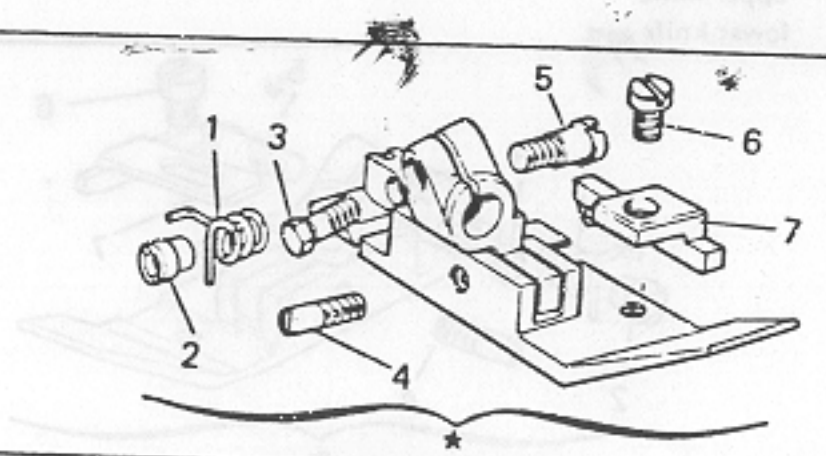
Fig. N. Abb. N.	Part. N. Bestell N. Pieza N.	Qt. Anzahl	DESCRIZIONE	DESCRIPTION	BENENNUNG	DESCRIPTION	DESCRIPCION
★	204706-3-11	1	piedino completo	presserfoot assembly			
1	204894-0-10	1	molla	spring			
2	204895-0-10	1	bussola filettata	bush			
3	204947-0-10	1	vite	screw			
4	204869-0-10	1	spina	pin			
5	204889-0-10	1	vite	screw			
6	741413-0-00	1	vite	screw			
7	204878-0-10	1	piastrina	plate			
Tav. 3							
33	781302-0-20	1	targhetta classe testa	head class plate			
Tav. 4							
10	724432-0-00	1	vite	screw			
Tav. 9							
28	765200-6-80	2	ago sist. RIM 27 fin. 80	needle syst. RIM 27 size 80			
Tav. 13							
4	204698-0-11	1	placca ago largh. costa 3,7 mm.	needle plate bight width 3,7 mm.			
5	204819-0-10	1	griffino	feed dog			
6	204669-0-10	1	griffa sussidiaria	subsidiary feed dog			
7	204667-0-10	1	griffa principale	main feed dog			
Tav. 14							
17	765200-6-80	10	ago sist. RIM 27 fin. 80	needle syst. RIM 27 size 80			
SOLO A RICHIESTA							
ONLY ON REQUEST							
Tav. 13							
4	204692-0-00	1	placca ago largh. costa 4 mm.	needle plate bight width 4 mm.			
	204696-0-10	1	placca ago largh. costa 7 mm.	needle plate bight width 7 mm.			
	206866-0-00	1	placca ago largh. costa 5 mm.	needle plate bight width 5 mm.			
19	203783-0-10	1	coltello superiore	upper knife			
	203759-0-10	1	coltello superiore	upper knife			
	207004-2-00	1	coltello super. con piacchetta	upper knife			
20	204693-0-11	1	coltello inferiore	lower knife			



From the library of: Diamond Needle Corp

Fig. N. Abb. N.	Part. N. Bestell N. Piece N. Pieza N.	Ct. Anzahl	DESCRIZIONE	DESCRIPTION	BENENNUNG	DESCRIPTION	DESCRIPCION
*	205103-3-10	1	piedino completo	presserfoot assembly			
1	204894-0-10	1	molla	spring			
2	204895-0-10	1	bussola filettata	bush			
3	204947-0-10	1	vite	screw			
4	204869-0-10	1	spina	pin			
5	204889-0-10	1	vite	screw			
6	741445-0-00	1	vite	screw			
7	205105-0-10	1	linguetta	tongue			
	205106-0-00	1	linguetta	tongue			
	<u>Tav. 3</u>						
33	781300-0-20	1	targhetta classe macchina	machine class plate			
	<u>Tav. 4</u>						
10	724432-0-00	1	vite	screw			
	<u>Tav. 11</u>						
17	205430-0-10	1	spingi asola	front needle guard			
	<u>Tav. 13</u>						
*	205101-4-10	1	gruppo spingi asola salva ago	front and rear needle guard group			
2	205100-0-10	1	spingi asola	front needle guard			
4	205102-0-10	1	placca ago largh. costa 3,5 mm.	needle plate bight width 3,5 mm.			
			SOLO A RICHIESTA	ONLY ON REQUEST			
	<u>Tav. 13</u>						
4	204696-0-10	1	placca ago largh. costa 7 mm.	needle plate bight width 7 mm.			
19	203783-0-10	1	coltello superiore	upper knife			
	203759-0-10	1	coltello superiore	upper knife			
	207004-2-00	1	coltello super. con placchetta	upper knife			
20	204693-0-11	1	coltello inferiore	lower knife			

From the library of: Diamond Needle Corp



SS VAT

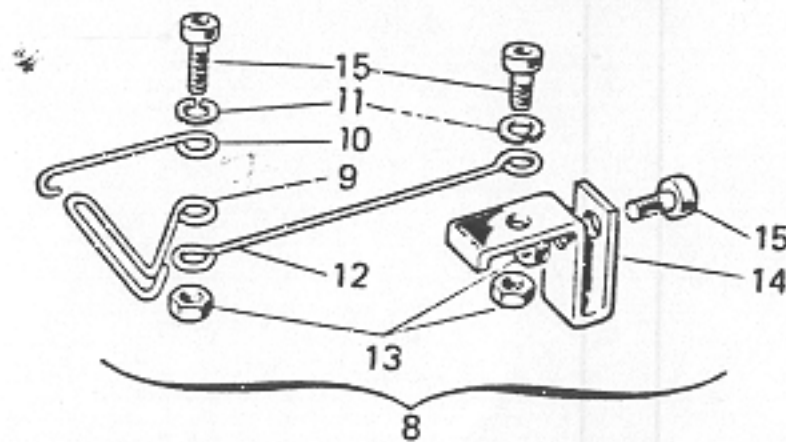
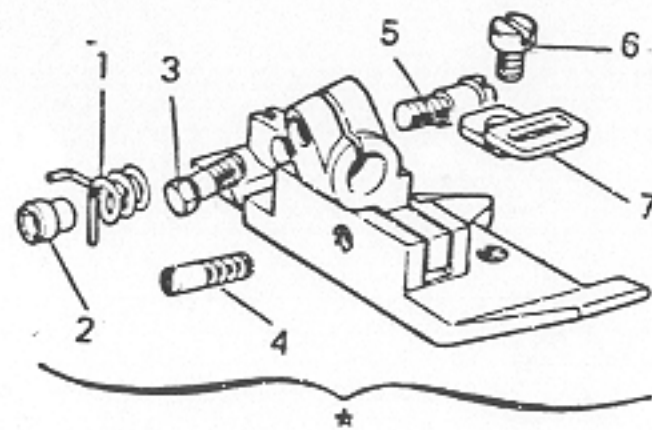
Rumoldi

Fig. N. Abb. N.	Part. N. Bestell N. Piece N. Pieza N.	Qt. Anzahl	DESCRIZIONE	DESCRIPTION	BENENNUNG	DESCRIPTION	DESCRIPCION
33	Tav. 3 781300-0-20	1	targhetta classe testa	head class plate			
10	Tav. 4 724432-0-00	1	vite	screw			
4	Tav. 13 204867-0-10	1	placca ago largh. costa 6 mm.	needle plate bight width 6 mm.			
6	204852-0-10	1	griffa sussidiaria	subsidiary feed dog			
7	204848-0-10	1	griffa principale	main feed dog			
			SOLO A RICHIESTA	ONLY ON REQUEST			
6	Tav. 13 204853-0-10	1	griffa sussidiaria	subsidiary feed dog			
7	204849-0-10	1	griffa principale	main feed dog			
19	203783-0-10	1	coltello superiore	upper knife			
	203759-0-10	1	coltello superiore	upper knife			
	207004-2-00	1	coltello super. con placchetta	upper knife with plate			
20	204693-0-11	1	coltello inferiore	lower knife			

From the library of: Diamond Needle Corp



Fig. N. Abb. N.	Part. N. Bestell N. Pieze N. Pieze N.	Qt. Anzahl	DESCRIZIONE	DESCRIPTION	BENENNUNG	DESCRIPTION	DESCRIPCION
*	204951-3-11	1	piedino completo	presserfoot assembly			
1	204894-0-10	1	molla	spring			
2	204895-0-10	1	bussola filettata	bush			
3	204947-0-10	1	vite	screw			
4	204869-0-10	1	spina	pin			
5	204889-0-10	1	vite	screw			
6	741526-0-00	1	vite	screw			
7	204856-0-10	1	guida	guide			
8	991225-4-00	1	guida fettuccia completa	guide assembly			
9	991221-0-00	1	guida fettuccia	guide			
10	991222-0-00	1	asta di regolazione	rod			
11	703003-0-00	2	rondella elastica	spring washer			
12	991220-0-00	1	asta centrale	rod			
13	746003-0-00	3	dado	nut			
14	991223-0-00	1	supporto	support			
15	722420-2-00	3	vite	screw			
			<u>Tav. 3</u>				
33	781300-0-20	1	targhetta classe macchina	machine class plate			
			<u>Tav. 4</u>				
10	724432-0-00	1	vite	screw			
			<u>Tav. 13</u>				
4	204948-0-10	1	placca ago largh. costa 4 mm.	needle plate bight width 4 mm.			
			SOLO A RICHIESTA ONLY ON REQUEST				
			<u>Tav. 13</u>				
4	204696-0-10	1	placca ago largh. costa 7 mm.	needle plate bight width 7 mm.			
19	203783-0-10	1	coltello superiore	upper knife			
	203759-0-10	1	coltello superiore	upper knife			
	207004-2-00	1	coltello super. con placchetta	upper knife			
20	204693-0-11	1	coltello inferiore	lower knife			

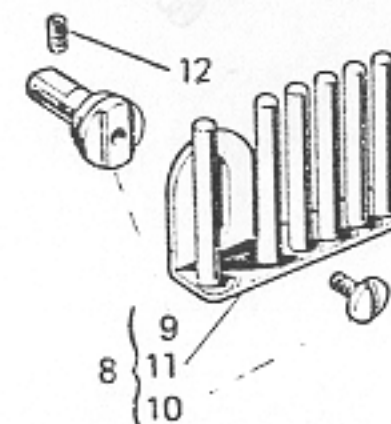
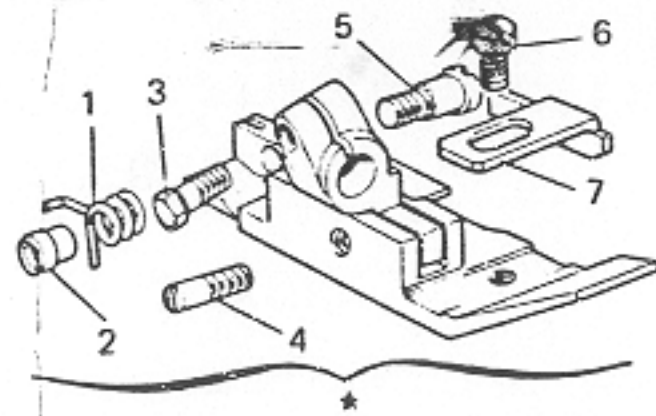


From the library of: Diamond Needle Corp

AS VAT

Rumoldi

Fig. N. Abb. N.	Part. N. Bestell N. Piece N. Pieza N.	Qt. Anzahl	DESCRIZIONE	DESCRIPTION	BENENNUNG	DESCRIPTION	DESCRIPCION
★	204873-3-11	1	piedino completo	presserfoot assembly			
1	204894-0-10	1	molla	spring			
2	204895-0-10	1	bussola filettata	bush			
3	204497-0-10	1	vite	screw			
4	204869-0-10	1	spina	pin			
5	204889-0-10	1	vite	screw			
6	741413-0-00	1	vite	screw			
7	204879-0-11	1	piastrina	plate			
8	990496-4-10	1	gruppo frenaggio completo	brake device group			
9	990497-0-10	1	perno	pin			
10	201236-0-10	1	vite	screw			
11	990495-2-10	1	piastra frenaggio	plate			
12	729013-2-00	1	vite	screw			
	<u>Tav. 3</u>						
33	781300-0-20	1	targhetta classe macchina	machine class plate			
★	206367-4-00	1	sportello anteriore completo	front cover			
16	206955-2-00	1	sportello scorrevole	sliding cover			
	<u>Tav. 4</u>						
10	724432-0-00	1	vite	screw			
	<u>Tav. 13</u>						
4	206172-2-00	1	placca ago con guida largh. costa 4,5 mm.	needle plate with guide bight width 4,5 mm.			
7	206176-0-00	1	griffa principale	main feed dog			
			SOLO A RICHIESTA	ONLY ON REQUEST			
	<u>Tav. 13</u>						
4	204696-0-10	1	placca ago largh. costa 7 mm	needle plate bight width 7 mm.			
19	203783-0-10	1	coltello superiore	upper knife			
	203759-0-10	1	coltello superiore	upper knife			
	207004-2-00	1	coltello super. con placchetta	upper knife			
20	204693-0-11	1	coltello inferiore	lower knife			
			PEZZI ANNULLATI	CANCELLED PARTS			
	<u>Tav. 2</u>						
16	202398-0-10	1	tappo	plug			



From the library of: Diamond Needle Corp

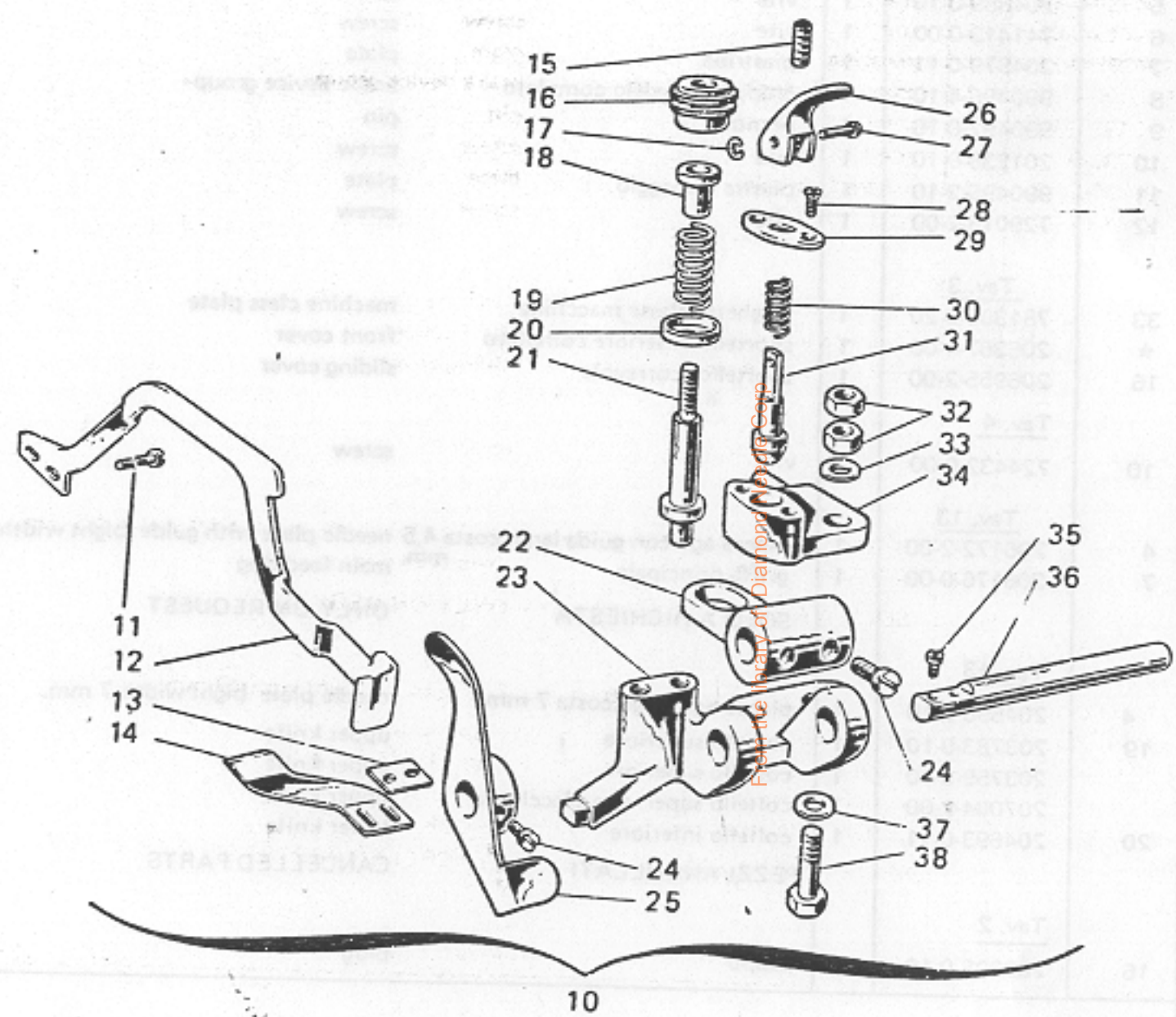
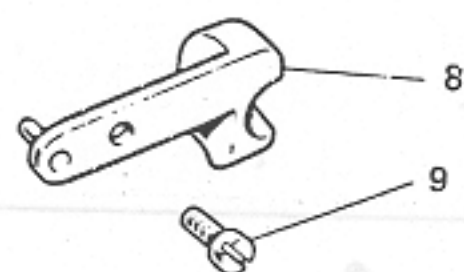
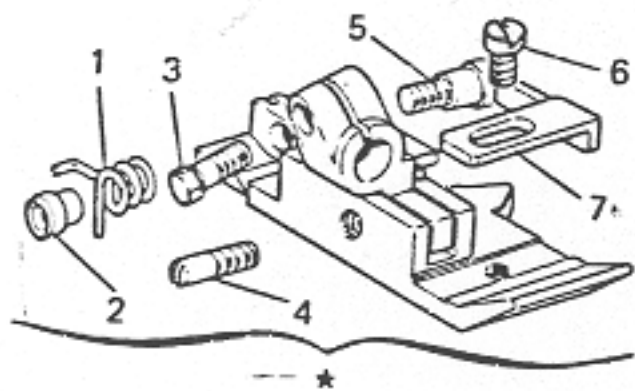
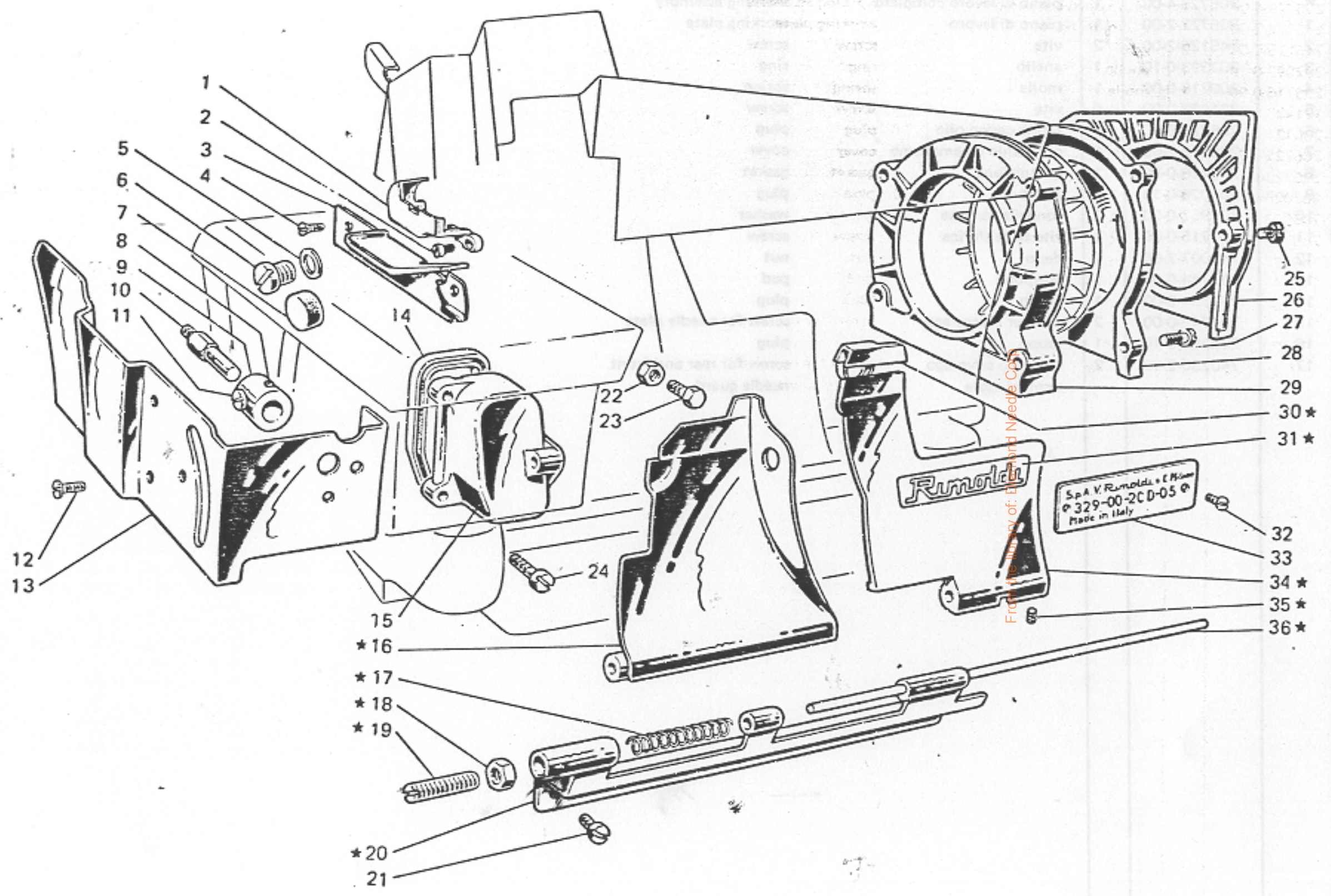


Fig. N. Abb. N.	Part. N. Bestell N. Pieze N. Pieza N.	Qt. Anzahl	DESCRIZIONE	DESCRIPTION	BENENNUNG	DESCRIPTION	DESCRIPCION
*	204875-3-11	1	pieдино completo	presserfoot assembly			
1	204894-0-10	1	molla	spring			
2	204895-0-10	1	bussola filettata	bush			
3	204947-0-10	1	vite	screw			
4	204869-0-10	1	spina	pin			
5	204889-0-10	1	vite	screw			
6	741431-0-00	1	vite	screw			
7	204880-0-10	1	piastrina	plate			
8	203193-2-10	1	squadretta con spina	bracket			
9	721443-2-00	1	vite	screw			
10	204915-4-12	1	pieghettatore completo	folding device assembly			
11	300483-0-10	2	vite	screw			
12	206923-0-00	1	leva alza pieghettatore	lever			
13	204964-0-00	1	piastrina	plate			
14	204916-0-10	1	lamina	plate			
15	729013-2-00	1	vite	screw			
16	200699-0-10	1	pomolo	knob			
17	700205-0-00	1	anello elastico	spring ring			
18	200074-0-10	1	bussola	bush			
19	204937-0-10	1	molla	spring			
20	200821-0-10	1	scodellino	cap			
21	200698-0-10	1	perno	pin			
22	204926-0-10	1	leva premi-lamina	lever			
23	204914-0-10	1	corpo del pieghettatore	folding device body			
24	721434-2-00	4	vite	screw			
25	204924-2-10	1	leva	lever			
26	206909-0-00	1	leva per puntale	lever			
27	202100-0-10	1	spina	pin			
28	744533-0-00	2	vite	screw			
29	204935-0-10	1	piastrina	plate			
30	204938-2-00	1	molla premistoffa	spring			
31	204936-0-10	1	puntale	pin			
32	746021-2-00	2	dado	nut			
33	704216-2-00	1	rondella	washer			
34	204927-0-10	1	sostegno	support			
35	741675-2-00	2	vite	screw			
36	204918-0-10	1	perno porta lamina	pin			
37	704424-2-00	1	rondella	washer			
38	204934-0-10	1	vite	screw			
	<u>Tav. 3</u>						
33	781300-0-20	1	targhetta classe macchina	machine class plate			
	<u>Tav. 4</u>						
10	724432-0-10	1	vite	screw			
	<u>Tav. 9</u>						
28	765200-6-10	2	ago sist. RIM 27 fin. 100	needle syst. RIM 27 size 100			

From the library of: Diamond Needle Corp



Remolde

Fig. N. Abb. N.	Part. N. Bestell N. Piece N. Pieza N.	Qt. Anzahl	DESCRIZIONE	DESCRIPTION	BENENNUNG	DESCRIPTION	DESCRIPCION
	<u>Tav. 13</u>						
4	204867-0-10	1	placca ago largh. costa 6 mm.	needle plate bight width 6 mm.			
6	204852-0-10	1	griffa sussidiaria	subsidiary feed dog			
7	204848-0-10	1	griffa principale	main feed dog			
	<u>Tav. 14</u>						
17	765200-6-10	10	aghi sist. RIM 27 fin. 100	needle syst. RIM 27 size 100			
	<u>Tav. 16</u>						
*	920245-4-00	1	ginocchiello	knee			
			<u>SOLO A RICHIESTA</u>	<u>ONLY ON REQUEST</u>			
	<u>Tav. 13</u>						
4	204949-0-10	1	placca ago largh. costa 4,5 mm.	needle plate bight width 4,5 mm.			
7	204849-0-10	1	griffa principale	main feed dog			
	204853-0-10	1	griffa principale	main feed dog			
	205615-0-00	1	griffa unica	feed dog			
19	203783-0-10	1	coltello superiore	upper knife			
	203759-0-10	1	coltello superiore	upper knife			
	207004-2-00	1	coltello super. con placchetta	upper knife with plate			
20	204693-0-11	1	coltello inferiore	lower knife			
			<u>PEZZI ANNULLATI</u>	<u>CANCELLED PARTS</u>			
	<u>Tav. 2</u>						
16	202398-0-10	1	tappo	plug			
	<u>Tav. 10</u>						
16	204891-0-11	1	molla premi piedino	spring			
17	203187-0-10	1	vite	screw			

From the library of: Diamond Needle Corp

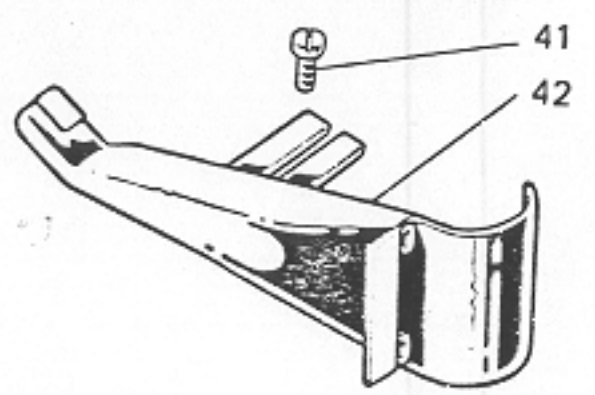
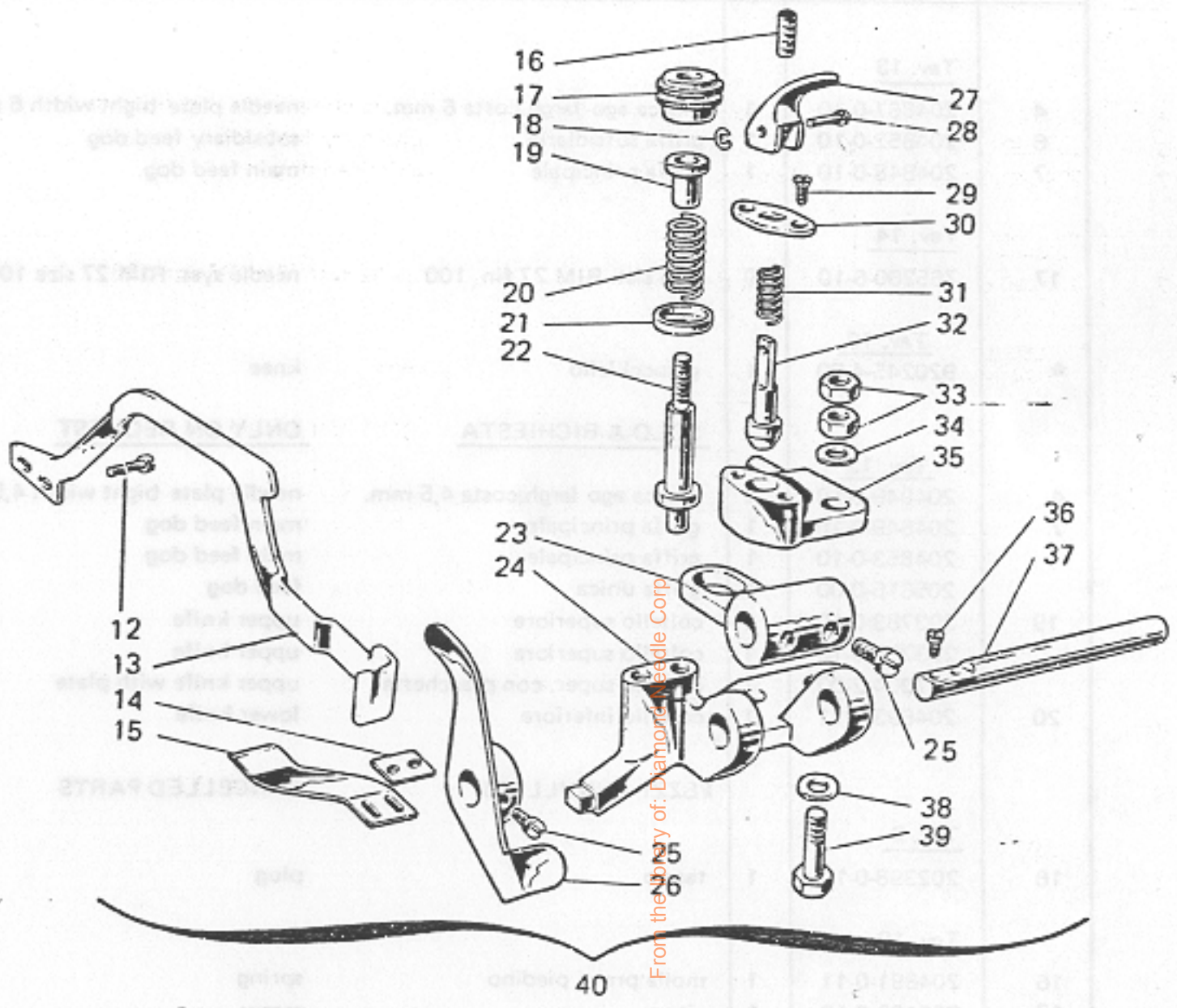
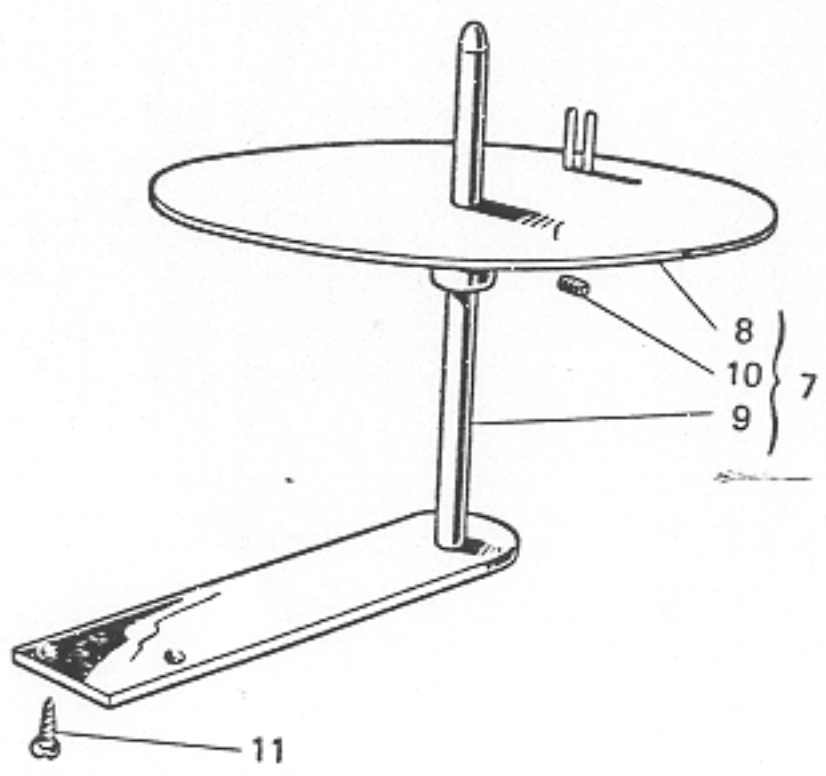
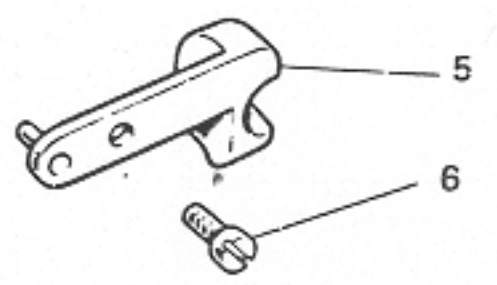
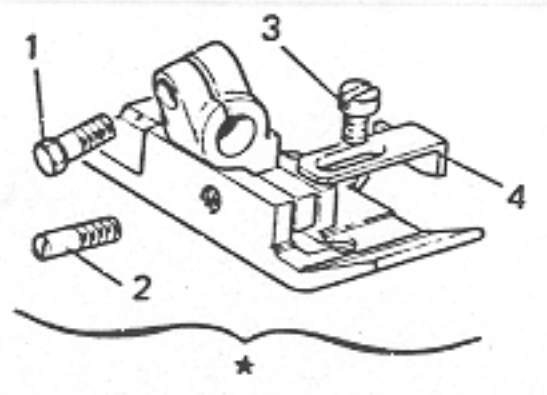
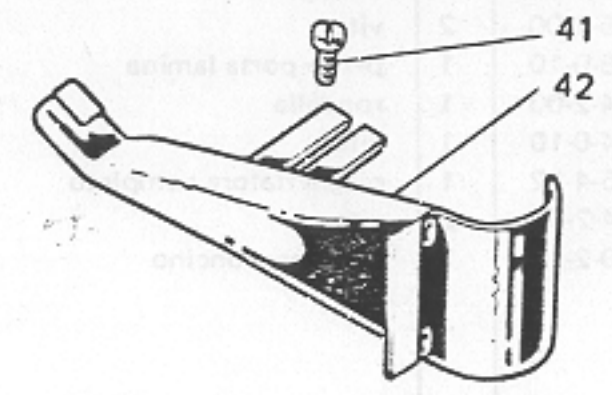
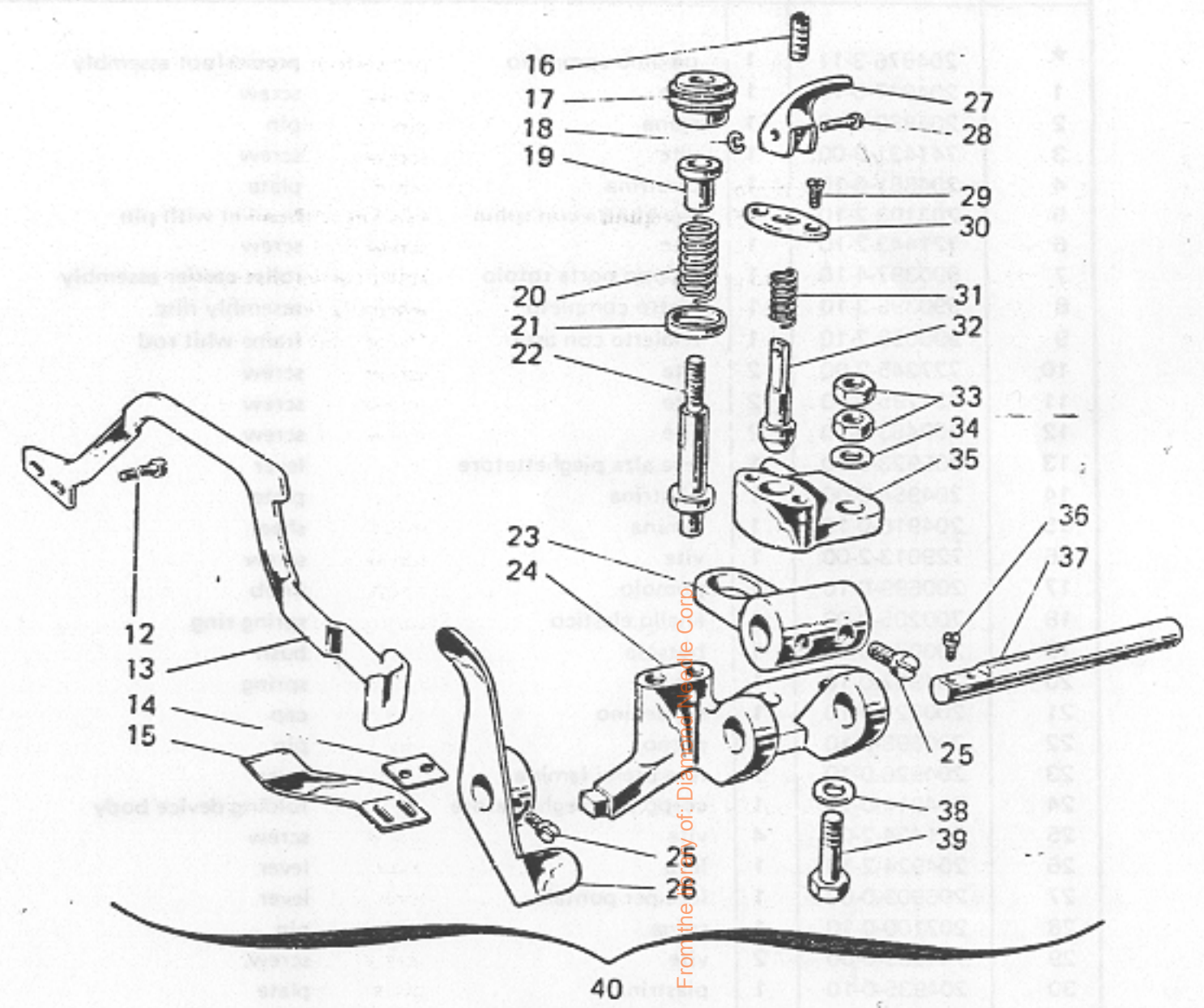
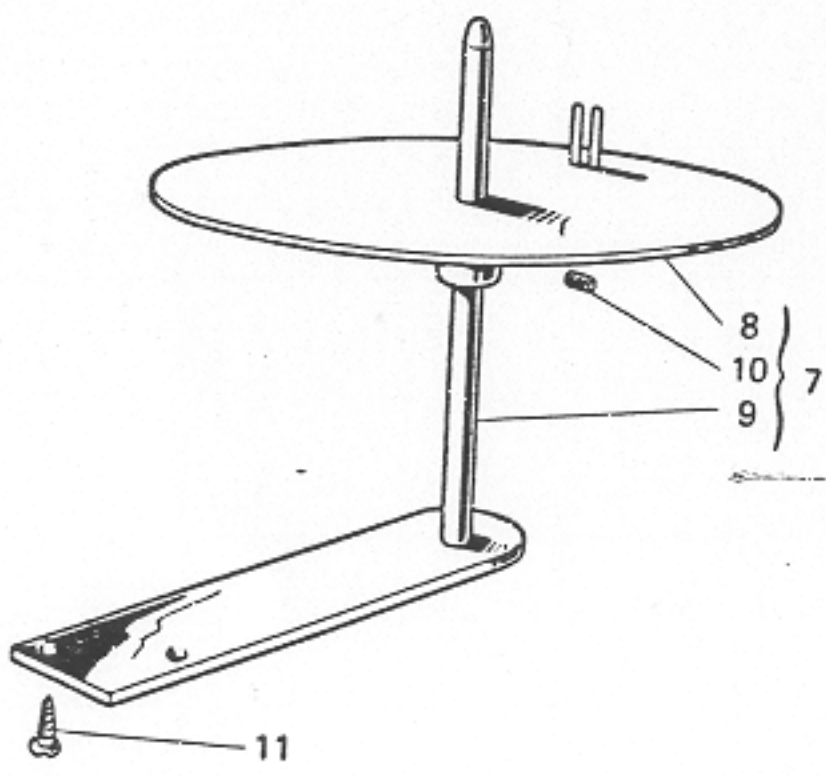
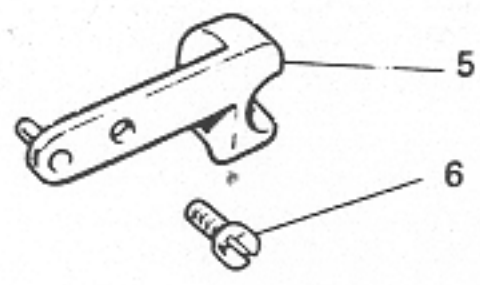
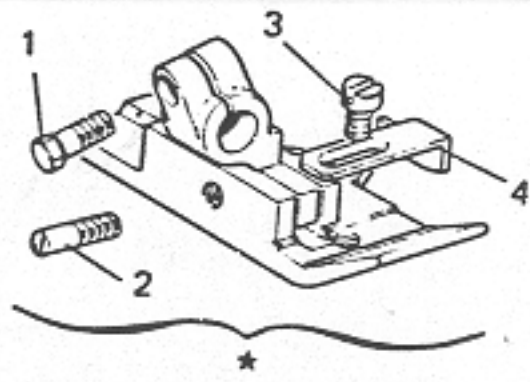


Fig. N. Abb. N.	Part. N. Bestell N. Piece N. Pieza N.	Qt. Anzahl	DESCRIZIONE	DESCRIPTION	BENENNUNG	DESCRIPTION	DESCRIPCION
★	204876-3-11	1	piedino completo	presserfoot assembly			
1	204947-0-10	1	vite	screw			
2	204859-0-10	1	spina	pin			
3	741431-0-00	1	vite	screw			
4	204881-0-10	1	piastrina	plate			
5	703193-2-10	1	spandetta con spina	bracket with pin			
6	721443-2-10	1	vite	screw			
7	990397-4-10	1	gruppo porta rotolo	roller carrier assembly			
8	990396-3-10	1	piatto completo	assembly disc			
9	990558-2-10	1	telaio con asta	frame with rod			
10	727245-2-00	2	vite	screw			
11	731295-0-00	2	vite	screw			
12	300483-0-10	2	vite	screw			
13	206923-0-00	1	leva alza pieghettatore	lever			
14	204954-0-00	1	piastrina	plate			
15	204916-0-10	1	lamina	sheet			
16	729013-2-00	1	vite	screw			
17	200699-0-10	1	pomolo	knob			
18	700205-0-00	1	anello elastico	spring ring			
19	200074-0-10	1	bussola	bush			
20	204937-0-10	1	molla	spring			
21	200821-0-10	1	scodellino	cap			
22	200698-0-10	1	perno	pin			
23	204926-0-10	1	leva premi lamina	lever			
24	204914-0-10	1	corpo del pieghettatore	folding device body			
25	721434-2-00	4	vite	screw			
26	204924-2-10	1	leva	lever			
27	206909-0-00	1	leva per puntale	lever			
28	202100-0-10	1	spina	pin			
29	744533-0-00	2	vite	screw			
30	204935-0-10	1	piastrina	plate			
31	204938-2-00	1	molla premi puntale	spring			
32	204936-0-10	1	puntale	pin			
33	746021-2-00	2	dado	nut			
34	704216-2-00	1	rondella	washer			
35	204927-0-10	1	sostegno	support			
36	741675-2-00	2	vite	screw			
37	204918-0-10	1	perno porta lamina	pin			
38	704424-2-00	1	rondella	washer			
39	204934-0-10	1	vite	screw			
40	204915-4-12	1	pieghettatore completo	folding device assembly			
41	721444-2-00	2	vite	screw			
42	204930-2-10	1	guida cordoncino	guide			



From the Army of Dayton, Ohio

Fig. N. Abb. N.	Part. N. Bestell N. Piece N. Pieza N.	Qt. Anzahl	DESCRIZIONE	DESCRIPTION	BENENNUNG	DESCRIPTION	DESCRIPCION
33	<u>Tav. 3</u> 781300-0-20	1	targhetta classe testa	head class plate			
10	<u>Tav. 4</u> 724432-0-00	1	vite	screw			
28	<u>Tav. 9</u> 765200-6-10	2	ago sist. RIM 27 fin. 100	needle syst. RIM 27 size 100			
4	<u>Tav. 13</u> 204867-0-10	1	placca ago largh. costa 6 mm.	needle plate bight width 6 mm.			
6	204852-0-10	1	griffa sussidiaria	subsidiary feed dog			
7	204848-0-10	1	griffa principale	main feed dog			
17	<u>Tav. 14</u> 765200-6-10	10	ago sist. RIM 27 fin. 100	needle syst. RIM 27 size 100			
*	<u>Tav. 16</u> 920245-4-00	1	ginocchiello	knee-press			
			SOLO A RICHIESTA	ONLY ON REQUEST			
4	<u>Tav. 13</u> 204949-0-10	1	placca ago largh. costa 4,5 mm.	needle plate bight width 4,5 mm.			
19	203783-0-10	1	coltello superiore	upper knife			
	203759-0-10	1	coltello superiore	upper knife			
	207004-2-00	1	coltello super. con placchetta	upper knife			
20	204693-0-11	1	coltello inferiore	lower knife			
41	<u>Tav. 25</u> 204958-2-10	1	guida cordoncino mm. 3 e fettuccia mm. 20	guide			
			PEZZI ANNULLATI	CANCELLED PARTS			
16	<u>Tav. 2</u> 202398-0-10	1	tappo	plug			

From the library of: Diamond Needle Corp

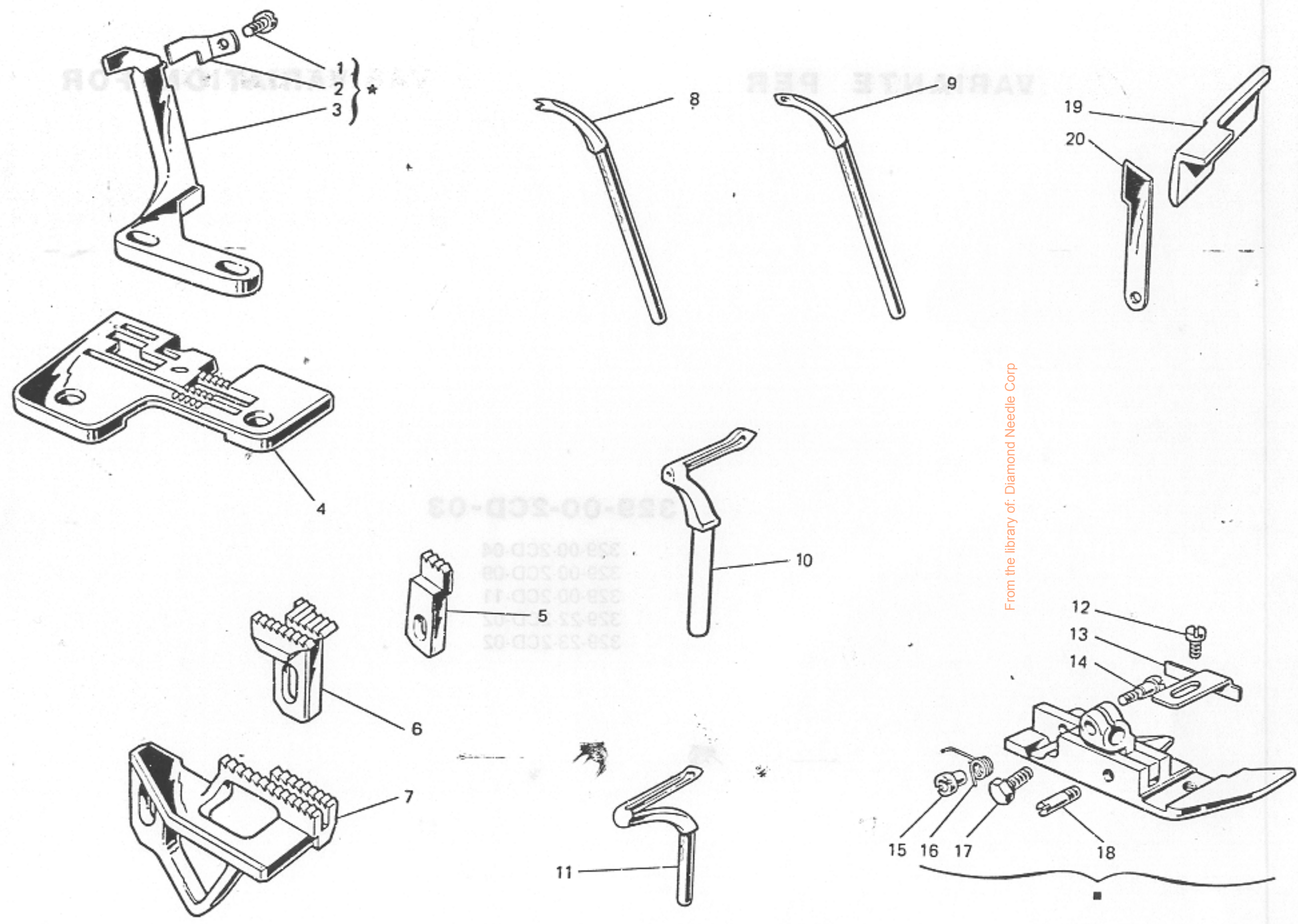
VARIANTE PER

VARIATION FOR

329-00-2CD-03

- 329-00-2CD-04
- 329-00-2CD-09
- 329-00-2CD-11
- 329-22-2CD-02
- 329-23-2CD-02

From the library of: Diamond Needle Corp



From the library of: Diamond Needle Corp

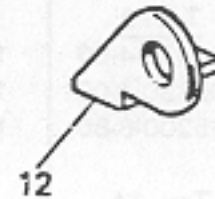
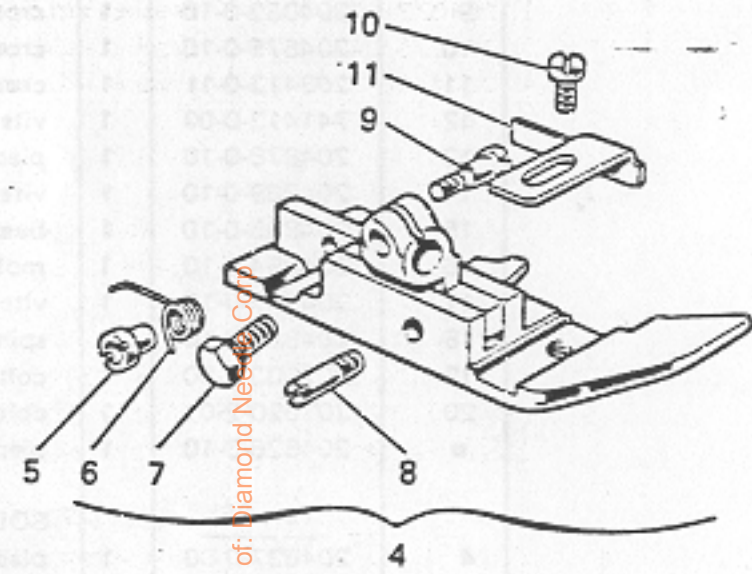
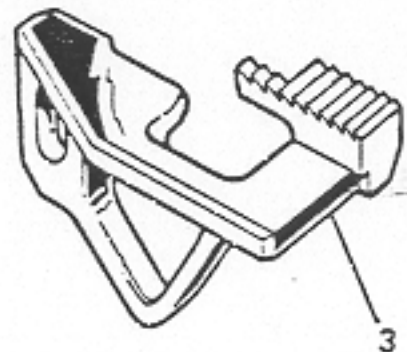
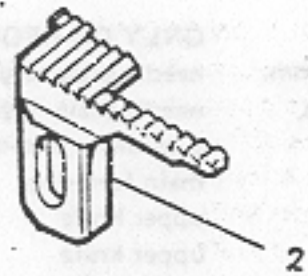
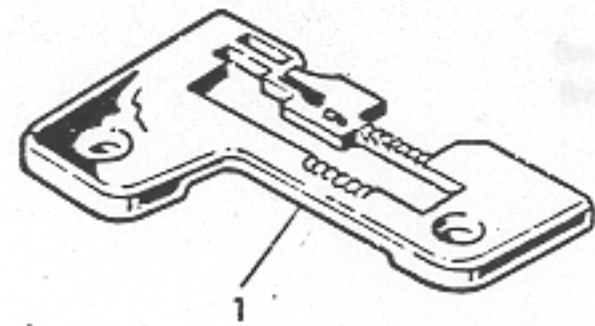
74

68

Fig. N. Abb. N.	Part. N. Bestell N. Pieza N.	Qt. Anzahl	DESCRIZIONE	DESCRIPTION	BENENNUNG	DESCRIPTION	DESCRIPCION
★	204862-4-10	1	gruppo salva ago e spingi asola	rear and front needle guard assembly			
1	741431-0-00	1	vite	screw			
2	204861-0-10	1	spingi asola	front needle guard			
3	204863-0-10	1	salva ago	rear needle guard			
4	204821-0-10	1	piacca ago largh.costa 3 mm	needle plate bight width 3 mm.			
5	204819-0-10	1	griffino	feed-dog			
6	204816-0-10	1	griffa sussidiaria	subsidiary feed dog			
7	204813-0-10	1	griffa principale	main feed dog			
8	202092-0-10	1	crochet sup.cieco cucit.a 4 fili	upper looper (blind)			
9	204033-0-10	1	crochet sup.cieco cucit.a 5 fili	upper looper (blind)			
10	204675-0-10	1	crochet punto sicurezza	looper			
11	202413-0-11	1	crochet inferiore	lower looper			
12	741413-0-00	1	vite	screw			
13	204878-0-10	1	piastrina	plate			
14	204889-0-10	1	vite	screw			
15	204895-0-10	1	bussola filettata	bush			
16	204894-0-10	1	molla	spring			
17	204947-0-10	1	vite	screw			
18	204869-0-10	1	spina	pin			
19	207003-2-00	1	coltello superiore	upper knife			
20	207020-2-01	1	coltello inferiore	lower knife			
■	204826-3-10	1	pedino completo	presserfoot assembly			
	<u>Tav. 26</u>		SOLO A RICHIESTA	ONLY ON REQUEST			
4	204837-0-00	1	placca ago largh.costa 2,5~mm.	needle plate bight width 2,5~mm.			
	204838-0-00	1	placca ago largh.costa 5 mm.	needle plate bight width 5 mm.			
6	205538-0-00	1	griffa sussidiaria	subsidiary feed-dog			
7	205539-0-00	1	griffa principale	main feed-dog			
19	203783-0-10	1	coltello superiore	upper knife			
	203759-0-10	1	coltello superiore	upper knife			
	207004-2-00	1	coltello superiore con placchetta	upper knife			
20	204693-0-11	1	coltello inferiore	lower knife			
	<u>Tav. 3</u>						
33	781303-0-20	1	targhetta classe testa	head class plate			
	<u>Tav. 9</u>						
★	206430-4-00	1	cinematismo comando ago	needle control assembly			
27	206830-4-00	1	barra ago con morsetto e fig.24	needle bar with clamp fig.24-25			
28	765200-6-80	1	ago sist.RIM27 fin.80	needle RIM27 fin 80			
	<u>Tav. 14</u>						
17	765200-6-80	10	ago sistema RIM 27 fin.80	needle RIM 27 fin. 80			

From the library of: Diamond Needle Corp

Rimoldi



From the library of: Diamond Needles Corp

PJ

Fig. N. Abb. N.	Part. N. Bestell N. Pieze N.	Qt. Anzahl	DESCRIZIONE	DESCRIPTION	EENENNUNG	DESCRIPTION	DESCRIPCION
1	204822-0-10	1	placca ago largh. costa 3 mm.	needle plate bight width 3 mm.			
2	204817-0-10	1	griffa sussidiaria	subsidiary feed dog			
3	204814-0-10	1	griffa principale	main feed dog			
4	204827-3-10	1	pedino completo	presserfoot assembly			
5	204895-0-10	1	bussola filettata	bush			
6	204894-0-10	1	molla	spring			
7	204947-0-10	1	vite	screw			
8	204869-0-10	1	spina	pin			
9	204889-0-10	1	vite	screw			
10	741413-0-00	1	vite	screw			
11	204878-0-10	1	piastrina	plate			
12	204836-0-10	1	squadretta di fermo	bracket			
<u>Tav. 3</u>							
33	781304-0-20	1	targhetta classe testa	head class plate			
<u>Tav. 4</u>							
10	724432-0-00	1	vite	screw			
<u>Tav. 27</u>							
1	204823-0-10	1	placca ago largh. costa 3 mm.	needle plate bight width 3 mm.			
<u>Tav. 26</u>							
19	203783-0-10	1	coltello superiore	upper knife			
	203759-0-10	1	coltello superiore	upper knife			
	207004-2-00	1	coltello superiore con placchetta	upper knife			
20	204693-0-11	1	coltello inferiore	lower knife			
<u>PEZZI ANNULLATI</u>							
<u>CANCELLED PARTS</u>							
<u>Tav. 10</u>							
16	204981-0-10	1	molla premi pedino	spring			

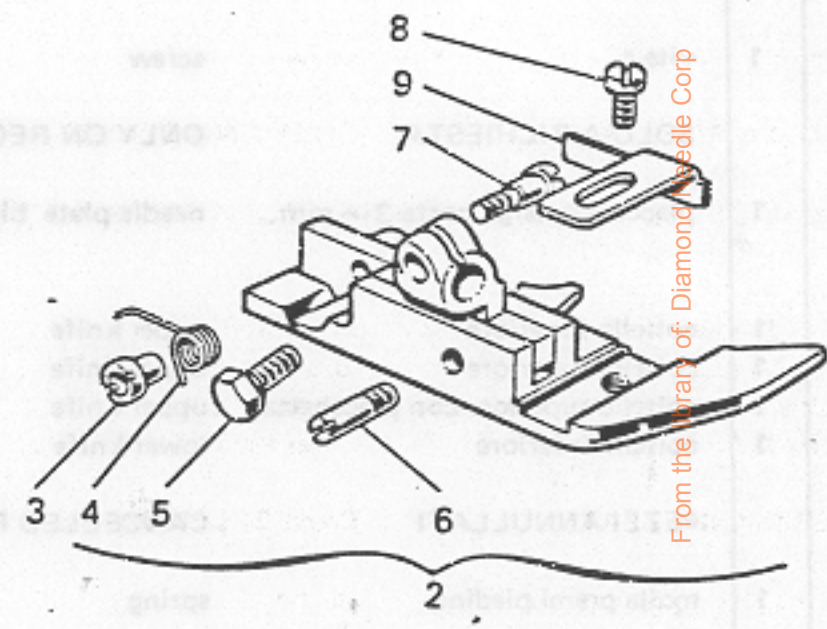
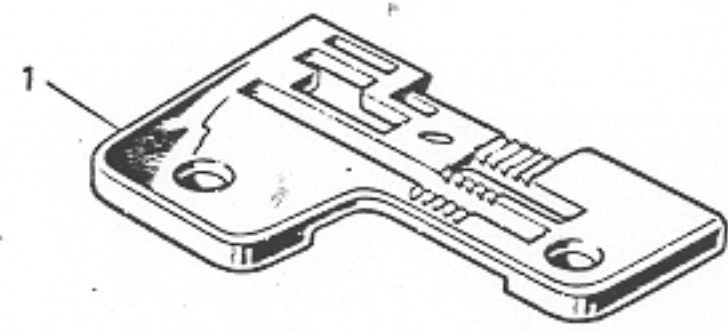


From the library of: Diamond Needle Corp

Fig. N. Abb. N.	Part. N. Bestell N. Pieze N. Pieza N.	Ct. Anzahl	DESCRIZIONE	DESCRIPTION	BENENNUNG	DESCRIPTION	DESCRIPCION
★	206356-4-00	1	sportello ant. compl.	front cover assembly			
1	206730-0-11	1	vaschetta recupero olio	sump			
2	741745-2-00	2	vite	screw			
3	206735-0-00	1	carterino para olio	oil retainer			
4	744654-2-00	3	vite	screw			
5	705925-0-00	1	rondella in fibra	washer			
6	202480-0-10	1	tappo	plug			
7	202027-0-10	1	tappo	plug			
8	730023-2-00	1	vite	screw			
9	206734-2-00	1	morsetto fiss.carter laterale	side cover clamp			
10	206733-0-00	1	vite per carter laterale	screw			
11	721435-2-00	1	vite	screw			
12	724895-2-00	4	vite	screw			
13	206880-2-00	1	carter laterale completo	side cover assembly			
14	206858-0-00	1	guarnizione	gasket			
15	206857-0-00	1	carterino	cover			
16	206885-2-00	1	sportello scorrevole	sliding cover			
17	206768-0-00	1	molla	spring			
18	746208-2-00	1	dado	nut			
19	206769-0-10	1	vite di regolazione	adjusting screw			
20	206756-0-00	1	cerniera	clamp			
21	741724-0-00	4	vite	screw			
22	746007-2-00	1	dado	nut			
23	202214-0-10	1	vite	screw			
24	741682-0-00	2	vite	screw			
25	721464-2-00	2	vite per coperchio	screw			
26	206685-0-00	1	coperchio cinghia	cover			
27	202484-0-10	4	vite	screw			
28	206687-2-00	1	coperchio coclea	scroll cover			
29	206688-0-00	1	coclea per ventola	scroll			
30	206764-0-00	1	zoccolo	block			
31	206770-0-00	1	targhetta Rimoldi	Rimoldi plate			
32	202165-0-10	2	vite	screw			
33	781305-0-20	1	targhetta classe	head class plate			
34	206763-0-00	1	sportello ribaltabile	tipping cover			
35	745800-2-00	1	vite	screw			
36	206767-0-00	1	perno	pin			

From the library of: Diamond Needle Corp

Rumolde



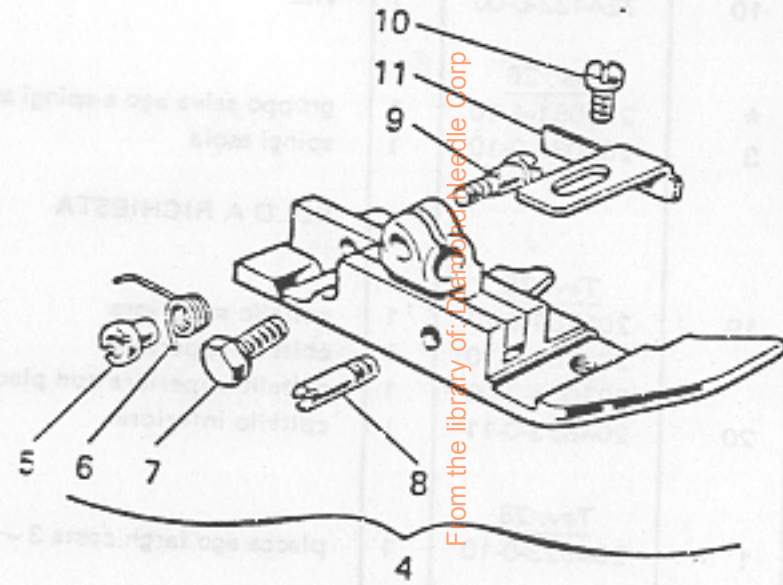
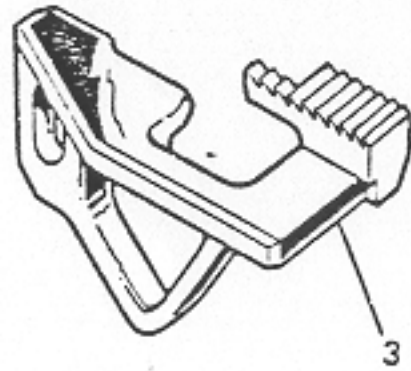
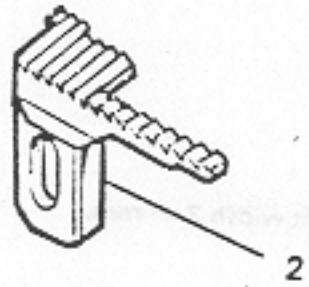
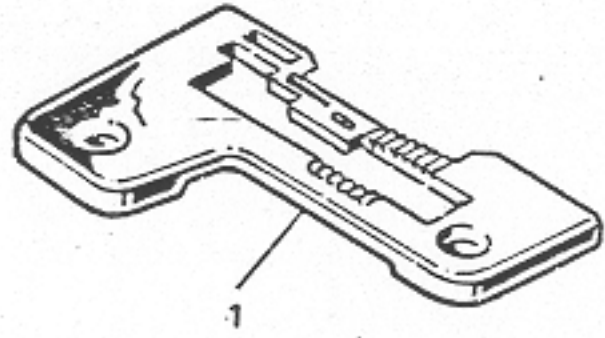
From the library of: Diamond Needle Corp

Rimoldi

Fig. N. Abb. N.	Part. N. Bestell N. Pieze N.	Qt. Anzahl	DESCRIZIONE	DESCRIPTION	BENENNUNG	DESCRIPTION	DESCRIPCION
1	205082-0-10	1	placca ago largh.costa 2,5 mm	needle plate bight width 2,5 mm.			
2	205084-0-10	1	piedino completo	presserfoot assembly			
3	204895-0-10	1	bussola filettata	bush			
4	204894-0-10	1	molla	spring			
5	204947-0-10	1	vite	screw			
6	204869-0-10	1	spina	pin			
7	204889-0-10	1	vite	screw			
8	741433-0-00	1	vite	screw			
9	205088-0-10	1	piastrina	plate			
	<u>Tav. 3</u>						
33	781300-0-20	1	targhetta classe testa	head class plate			
	<u>Tav. 4</u>						
10	724432-0-00	1	vite	screw			
	<u>Tav. 26</u>						
★	205081-4-10	1	gruppo salva ago e spingi asola	rear and front needle guard assembly			
3	205080-0-10	1	spingi asola	front needle guard			
			SOLO A RICHIESTA	ONLY ON REQUEST			
	<u>Tav. 26</u>						
19	203783-0-10	1	coltello superiore	upper knife			
	203759-0-10	1	coltello superiore	upper knife			
	207004-2-00	1	coltello superiore con placchetta	upper knife			
20	204693-0-11	1	coltello inferiore	lower knife			
	<u>Tav. 28</u>						
1	204823-0-10	1	placca ago largh.costa 3 mm.	needle plate bight width 3 mm.			

From the library of: Diamond Needle Corp

Remoldi



From the library of David Needle Corp

74

Fig. N. Abb.	Part. N. Bestelli N. Piece N. Pieze N.	Qt. Anzahl	DESCRIZIONE	DESCRIPTION	BENENNUNG	DESCRIPTION	DESCRIPCION
1	205083-0-10	1	placca ago largh.costa 3 mm.	needle plate bight width 3 mm			
2	204817-0-10	1	griffa sussidiaria	subsidiary feed dog			
3	204814-0-10	1	griffa principale	main feed dog			
4	205085-3-10	1	piedino completo	presserfoot assembly			
5	204895-0-10	1	bussola filettata	bush			
6	204894-0-10	1	molla	spring			
7	204947-0-10	1	vite	screw			
8	204869-0-10	1	spina	pin			
9	204889-0-10	1	vite	screw			
10	741433-0-00	1	vite	screw			
11	205088-0-10	1	piastrina	plate			
<u>Tav. 3</u>							
33	781300-0-20	1	targhetta classe testa	head class plate			
<u>Tav. 4</u>							
10	724432-0-00	1	vite	screw			
<u>Tav. 26</u>							
★	205081-4-10	1	gruppo salva ago e spingi asola	rear and front needle guard assembly			
3	205080-0-10	1	spingi asola	front needle guard			
<u>Tav. 26</u>							
19	203783-0-10	1	coltello superiore	upper knife			
	203759-0-10	1	coltello superiore	upper knife			
	207004-2-00	1	coltello superiore con placchetta	upper knife			
20	204693-0-11	1	coltello inferiore	lower knife			
<u>Tav. 29</u>							
1	204823-0-10	1	placca ago largh.costa 3 mm.	needle plate bight width 3 mm.			

SOLO A RICHIESTA ONLY ON REQUEST

From the library of: Diamond Needle Corp

Rimoldi

329-22-2CD-02

TAV.30

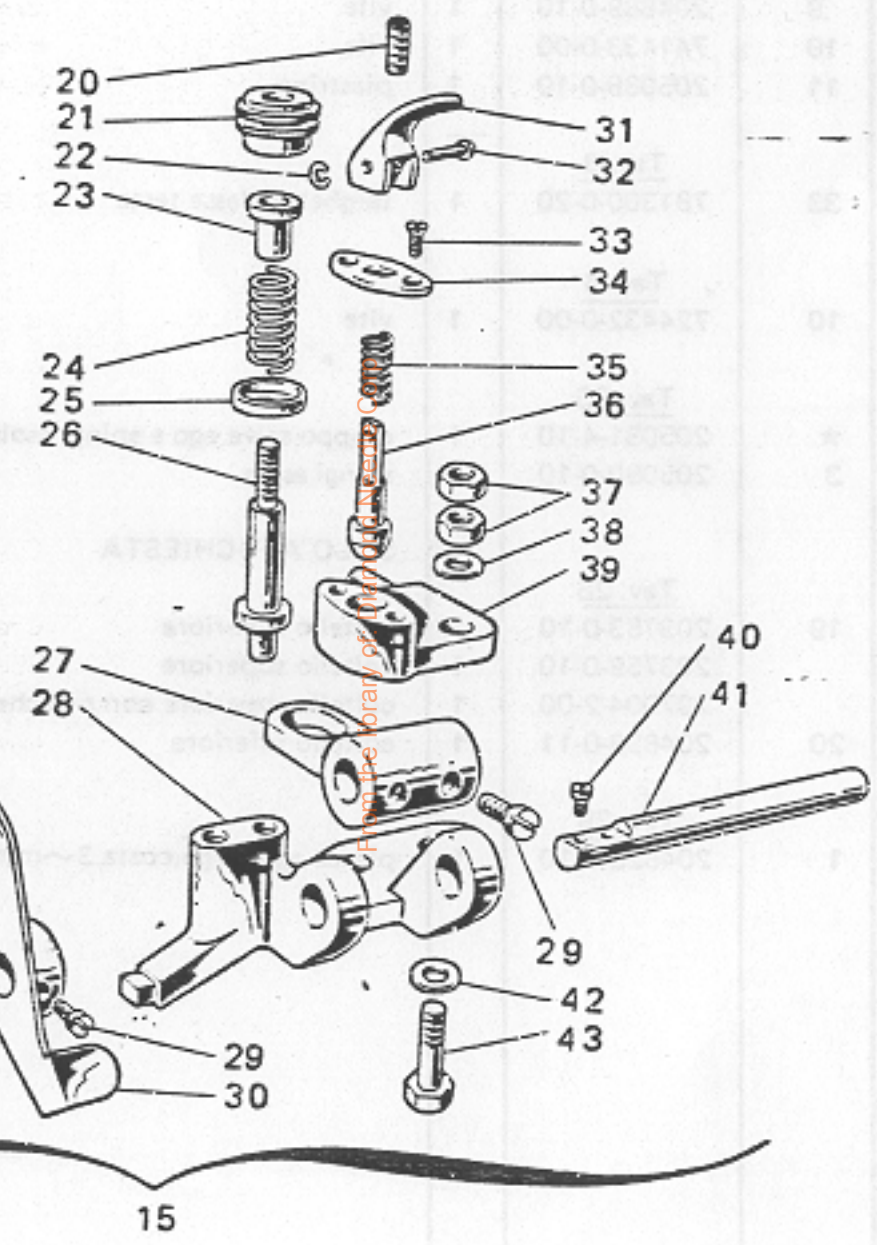
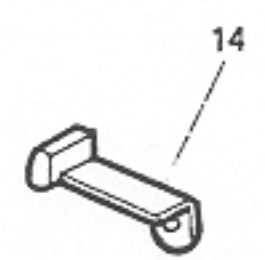
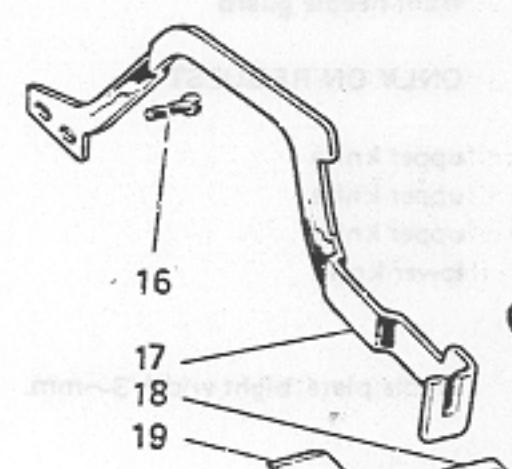
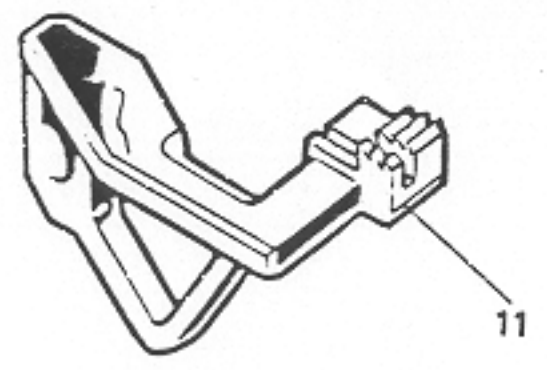
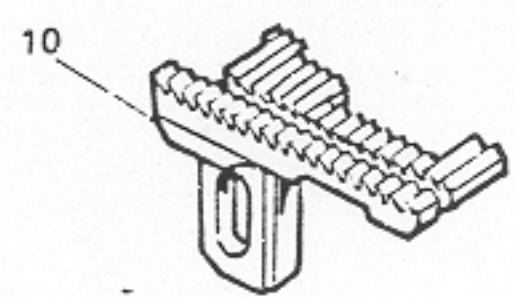
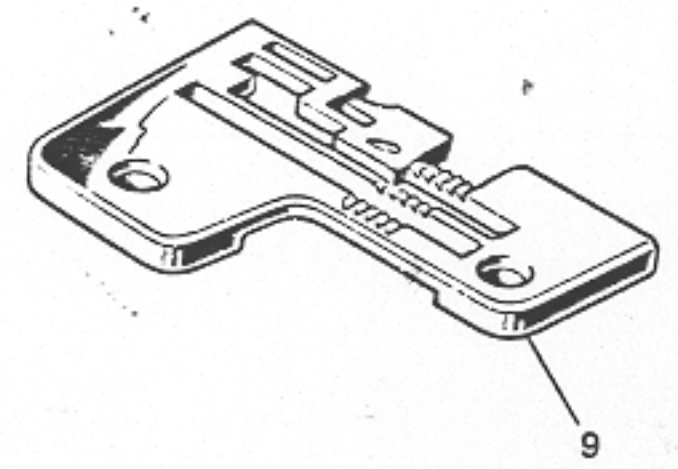
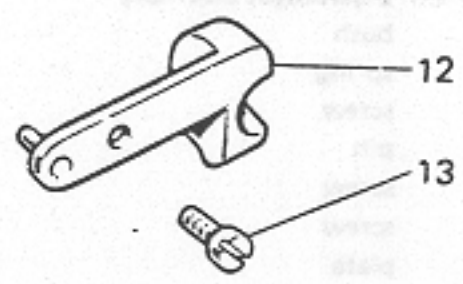
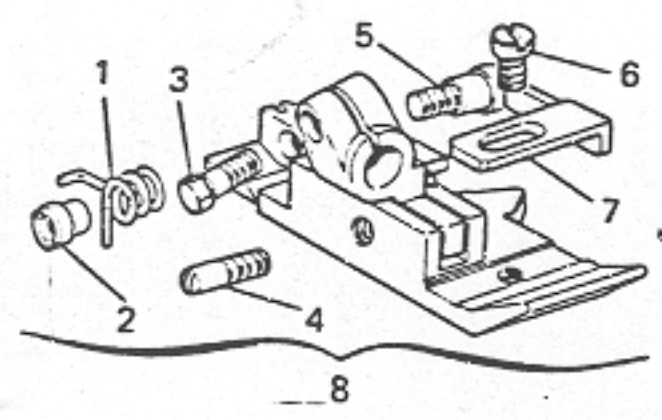
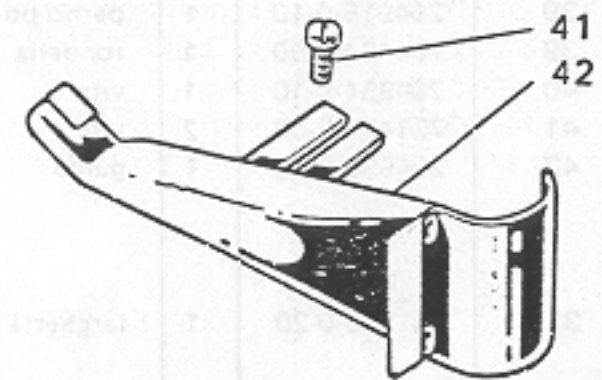
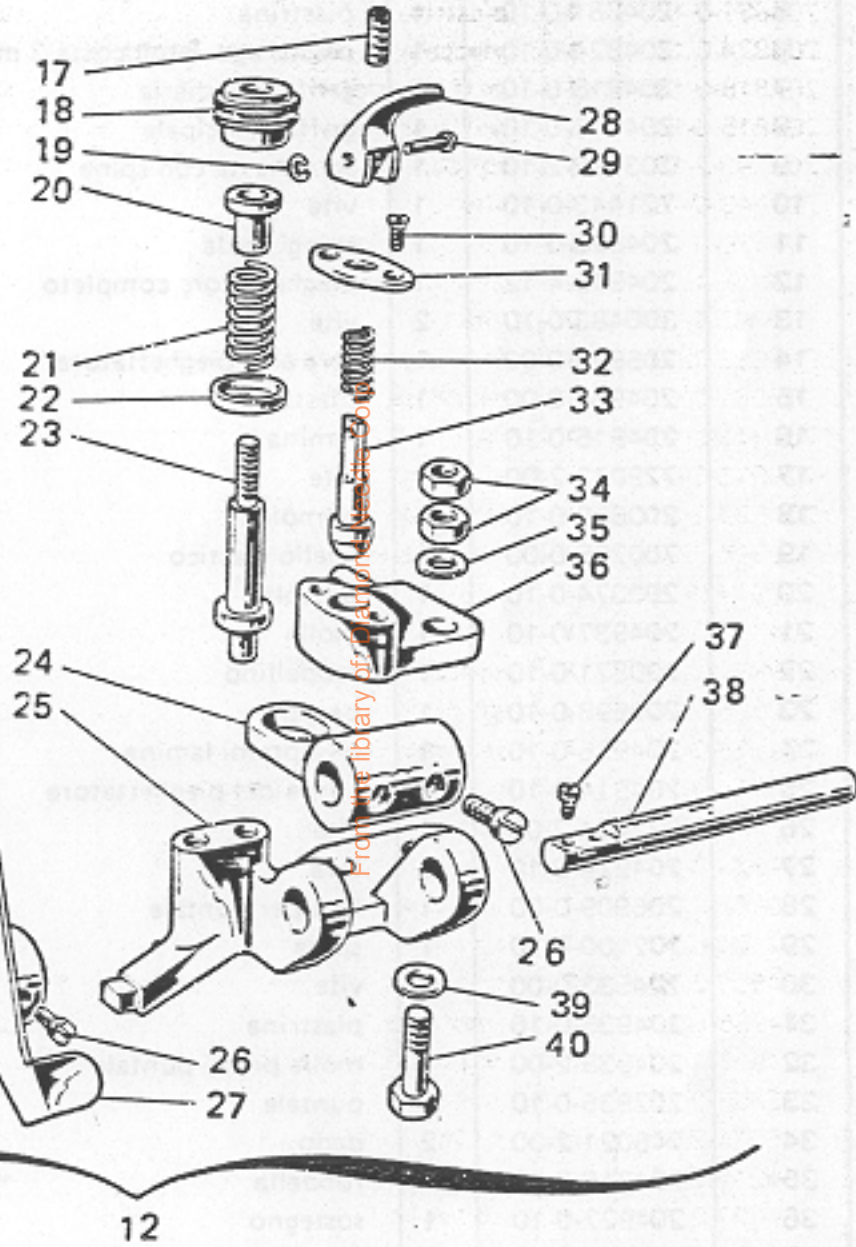
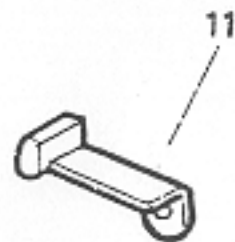
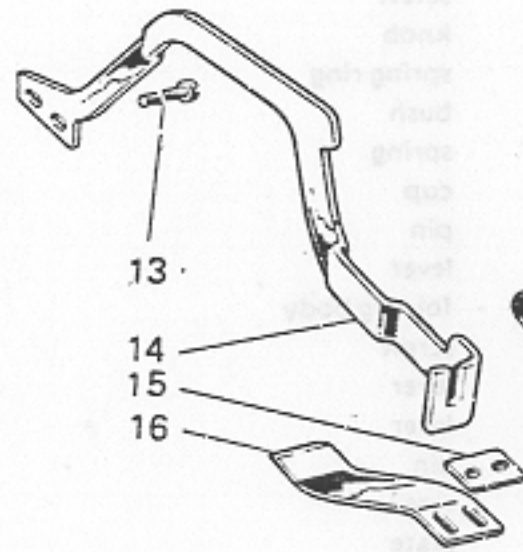
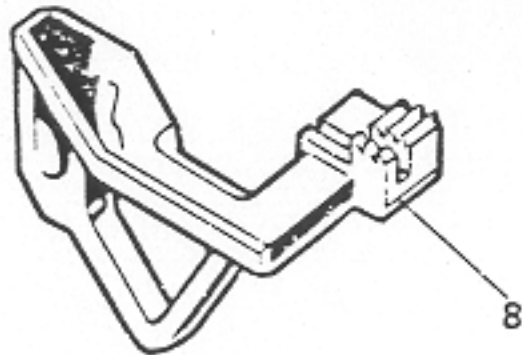
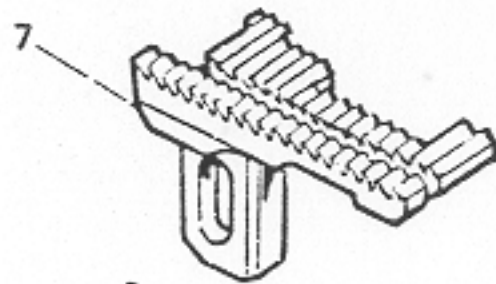
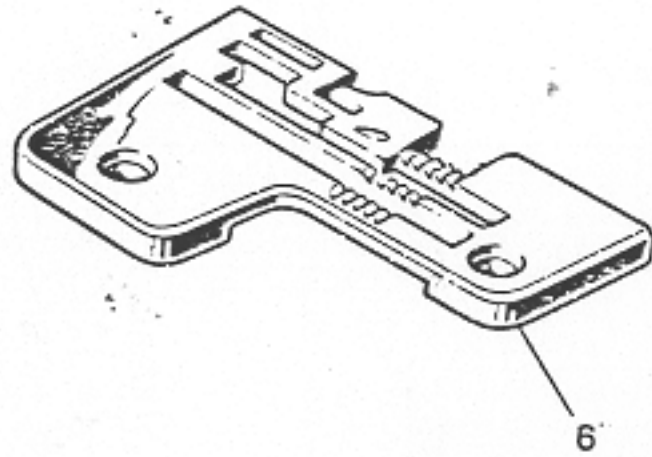
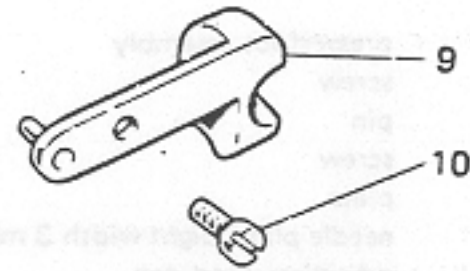
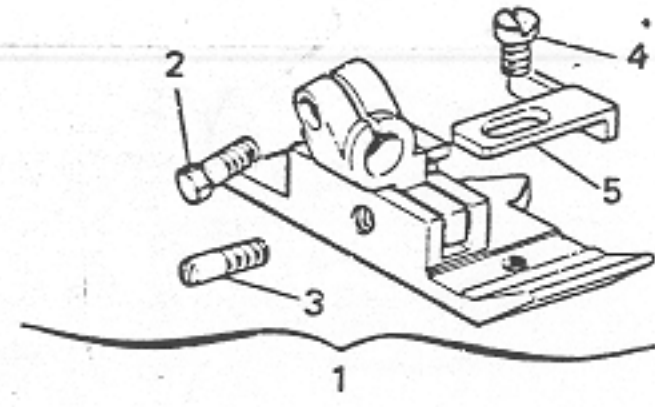


Fig. N. Abb. N.	Part. N. Bestell N. Piece N. Pieza N.	Qt. Anzahl	DESCRIZIONE	DESCRIPTION	BENENNUNG	DESCRIPTION	DESCRIPCION
1	204829-3-10	1	pedino completo	presserfoot assembly			
2	204947-0-10	1	vite	screw			
3	204869-0-10	1	spina	pin			
4	741431-0-10	1	vite	screw			
5	204881-0-10	1	piastrina	plate			
6	204824-0-10	1	placca ago largh. costa 3 mm	needle plate bight width 3 mm.			
7	204818-0-10	1	griffa sussidiaria	subsidiary feed dog			
8	204815-0-10	1	griffa principale	main feed dog			
9	203193-2-10	1	squadretta con spina	bracket with pin			
10	721443-0-10	1	vite	screw			
11	204820-0-10	1	spingi esola	front needle guard			
12	204915-4-12	1	pieghettatore completo	folding device			
13	300483-0-10	2	vite	screw			
14	206923-0-00	1	leva alza pieghettatore	lever			
15	204964-0-00	1	piastrina	plate			
16	204916-0-10	1	lamina	sheet			
17	729013-2-00	1	vite	screw			
18	200699-0-10	1	pomolo	knob			
19	700205-0-00	1	anello elastico	spring ring			
20	200074-0-10	1	bussola	bush			
21	204937-0-10	1	molla	spring			
22	200821-0-10	1	scodellino	cup			
23	200698-0-10	1	perno	pin			
24	204926-0-10	1	leva premi lamina	lever			
25	204914-0-10	1	corpo del pieghettatore	folding body			
26	721434-2-00	4	vite	screw			
27	204924-2-10	1	leva	lever			
28	206909-0-00	1	leva per puntale	lever			
29	202100-0-10	1	spina	pin			
30	744533-0-00	2	vite	screw			
31	204935-0-10	1	piastrina	plate			
32	204938-2-00	1	molla premi puntale	spring			
33	202936-0-10	1	puntale	cup			
34	746021-2-00	2	dado	nut			
35	704216-2-00	1	rondella	washer			
36	204927-0-10	1	sostegno	support			
37	741675-2-00	2	vite	screw			
38	204918-0-10	1	perno porta lamina	pin			
39	704424-2-00	1	rondella	washer			
40	204934-0-10	1	vite	screw			
41	721444-2-00	2	vite	screw			
42	204930-2-10	1	guida	guide			
33	Tav. 3 781300-0-20	1	targhetta classe testa	head class plate			

From the library of: Diamond Needle Corp



DE VAT

Fig. N. Abb.	Part. N. Bestell N. Piece N. Pieza N.	Qt. Anzahl	DESCRIZIONE	DESCRIPTION	BENENNUNG	DESCRIPTION	DESCRIPCION
1	204894-0-10	1	molla	spring			
2	204895-0-10	1	bussola filettata	bush			
3	204947-0-10	1	vite	screw			
4	204869-0-10	1	spina	pin			
5	204889-0-10	1	vite	screw			
6	741431-0-10	1	vite	screw			
7	204880-0-10	1	piastrina	plate			
8	204828-3-10	1	piellino completo	presserfoot assembly			
9	204824-0-10	1	placca ago largh. costa 3 mm.	needle plate bight width 3 mm.			
10	204818-0-10	1	griffa sussidiaria	subsidiary feed dog			
11	204815-0-10	1	griffa principale	main feed dog			
12	203193-2-10	1	squadretta con spina	bracket with pin			
13	721443-0-10	1	vite	screw			
14	204820-0-10	1	spingi esola	front needle guard			
15	204915-4-12	1	pieghettatore completo	folding device			
16	300483-0-10	2	vite	screw			
17	206923-0-00	1	leva alza pieghettatore	lever			
18	204964-0-00	1	piastrina	plate			
19	204916-0-10	1	lamina	sheet			
20	729013-2-00	1	vite	screw			
21	200699-0-10	1	pomolo	knob			
22	700205-0-00	1	anello elastico	spring ring			
23	200074-0-10	1	bussola	bush			
24	204937-0-10	1	molla	spring			
25	200821-0-10	1	scodellino	cup			
26	200698-0-10	1	perno	pin			
27	204926-0-10	1	leva premi lamina	lever			
28	204914-0-10	1	corpo del pieghettatore	folding body			
29	721434-2-00	4	vite	screw			
30	204924-2-10	1	leva	lever			
31	206909-0-00	1	leva per puntale	lever			
32	202100-0-10	1	spina	pin			
33	744533-0-00	2	vite	screw			
34	204935-0-10	1	piastrina	plate			
35	204938-2-00	1	molla premi puntale	spring			
36	202936-0-10	1	puntale	cup			
37	746021-2-00	2	dado	nut			
38	704216-2-00	1	rondella	washer			
39	204927-0-10	1	sostegno	support			
40	741675-2-00	2	vite	screw			
41	204918-0-10	1	perno porta lamina	pin			
42	704424-2-00	1	rondella	washer			
43	204934-0-10	1	vite	screw			
33	Tav. 3 781300-0-20	1	terghetta classe testa	head class plate			

From the library of: Diamond Needle Corp

Rumoldi

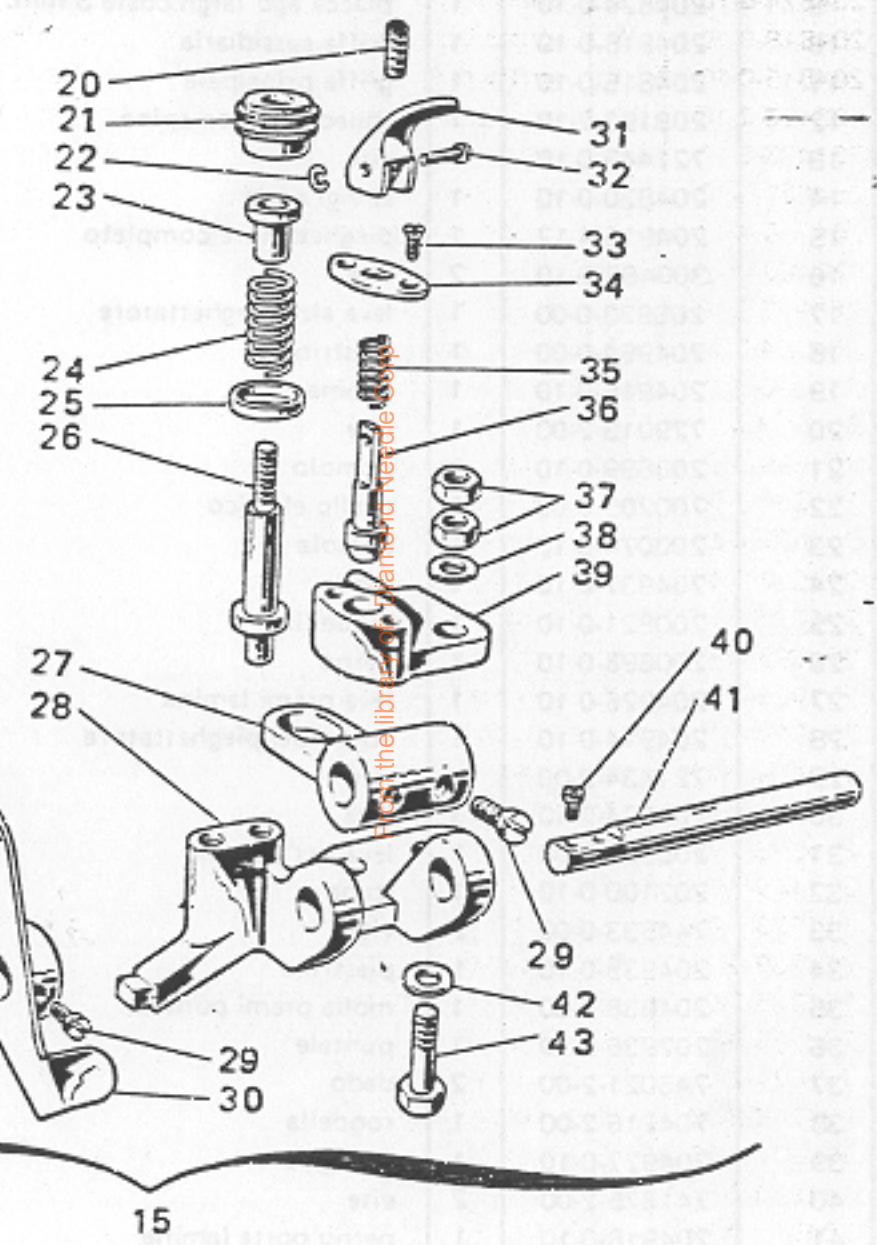
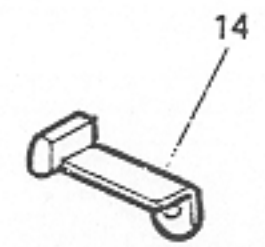
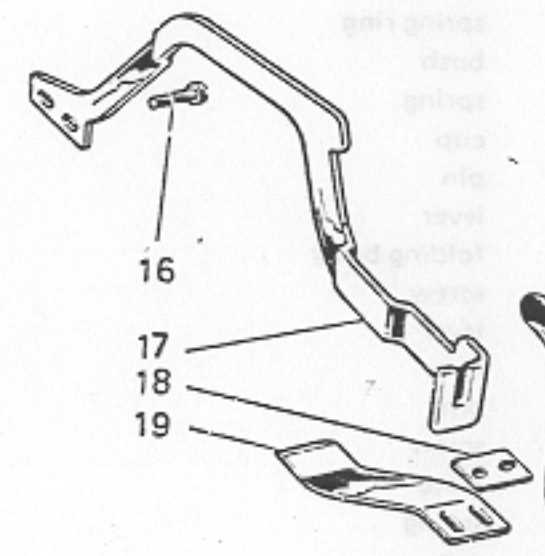
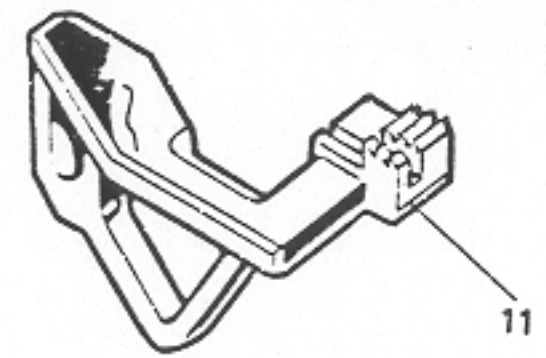
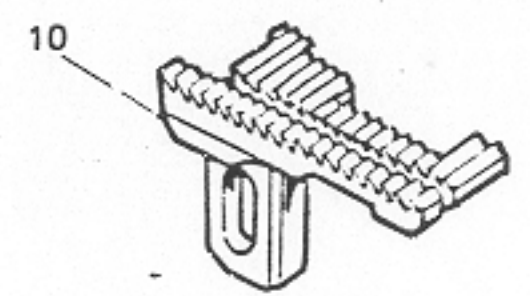
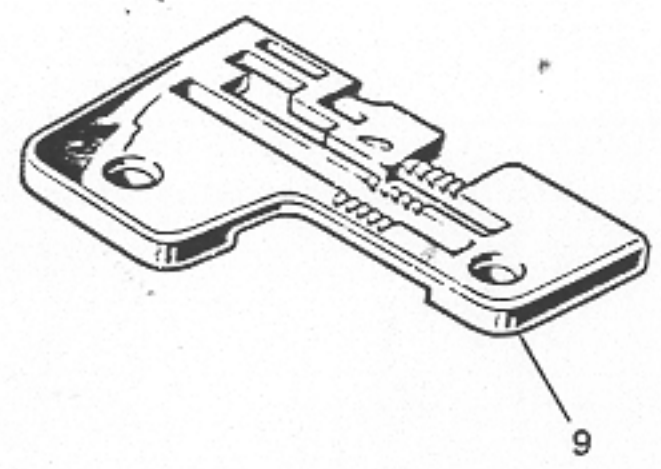
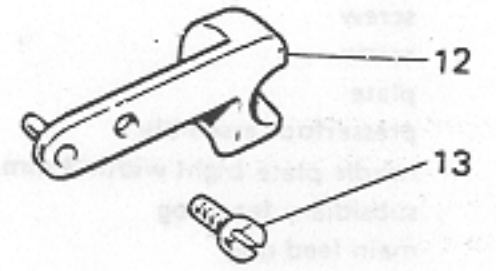
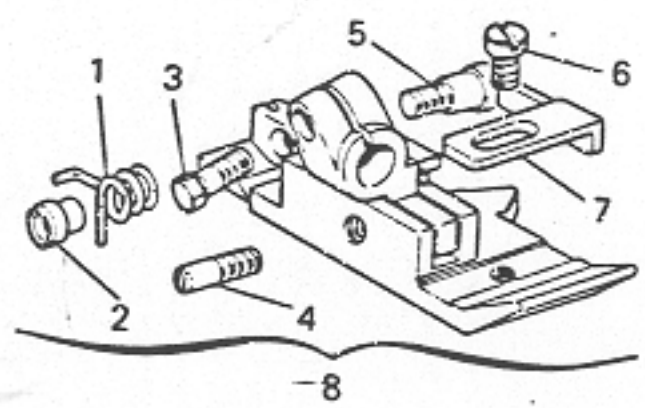
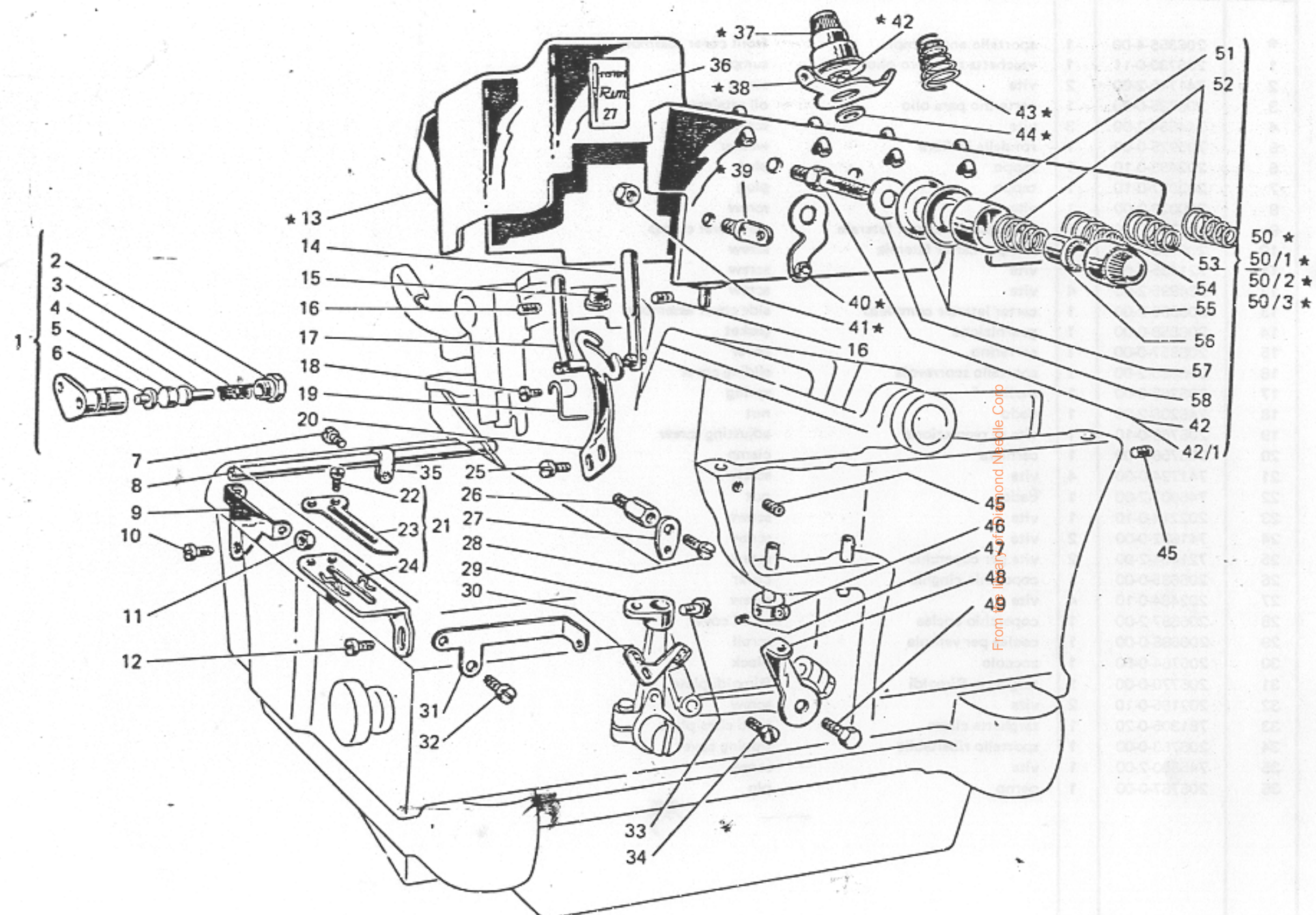


Fig. N. Abb. N.	Part. N. Bestell N. Piece N. Pieza N.	Qt. Anzahl	DESCRIZIONE	DESCRIPTION	BENENNUNG	DESCRIPTION	DESCRIPCION
10	<u>Tav. 4</u> 724432-0-00	1	vite	screw			
28	<u>Tav. 9</u> 765200-6-80	2	ago sistema RIM27 fin.80	needle RIM27 fin.80			
17	<u>Tav. 14</u> 765200-6-80	10	ago sistema RIM27 fin.80	needle RIM27 fin.80			
			SOLO A RICHIESTA	ONLY ON REQUEST			
19	<u>Tav. 26</u> 203783-0-10	1	coltello superiore	upper knife			
	203759-0-10	1	coltello superiore	upper knife			
	207004-2-00	1	coltello superiore con placchetta	upper knife			
20	204693-0-11	1	coltello inferiore	lower knife			
			PEZZI ANNULLATI	CANCELLED PARTS			
16	<u>Tav. 2</u> 202398-0-10	1	tappo	plug			
16	<u>Tav. 10</u> 204891-0-10	1	molla premi piedino	spring			
17	203187-0-10	1	vite	screw			

From the library of: Diamond Needle Corp



From the library of Rumoldi Needle Corp

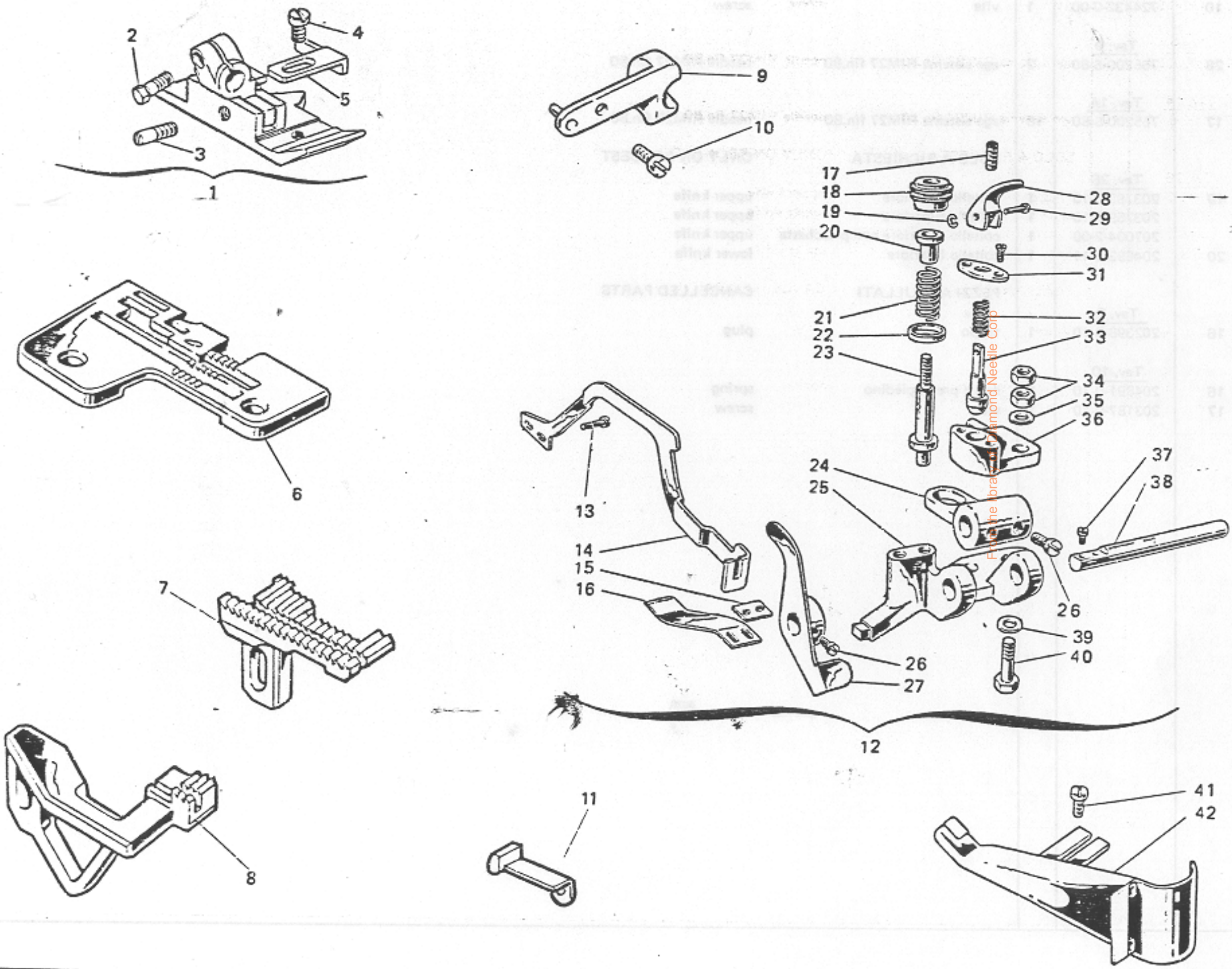


Fig. N. Abb. N.	Part. N. Bestell N. Piece N. Pieza N.	Qt. Anzahl	DESCRIZIONE	DESCRIPTION	BENENNUNG	DESCRIPTION	DESCRIPCION
10	<u>Tav. 4</u> 724432-0-00	1	vite	screw			
28	<u>Tav. 9</u> 765200-6-80	2	ago sistema RIM27 fin.80	needle RIM27 fin.80			
17	<u>Tav. 14</u> 765200-6-80	10	ago sistema RIM27 fin.80	needle RIM27 fin.80			
			SOLO A RICHIESTA	ONLY ON REQUEST			
19	<u>Tav. 26</u> 203783-0-10	1	coltello superiore	upper knife			
	203759-0-10	1	coltello superiore	upper knife			
	207004-2-00	1	coltello superiore con placchetta	upper knife			
20	204693-0-11	1	coltello inferiore	lower knife			
42	<u>Tav. 31</u> 204958-2-10	1	guida	guide			
			PEZZI ANNULLATI	CANCELLED PARTS			
16	<u>Tav. 2</u> 202398-0-10	1	tappo	plug			
16	<u>Tav. 10</u> 204891-0-10	1	molla premi piedino	spring			
17	203187-0-10	1	vite	screw			

From the library of: Diamond Needle Corp

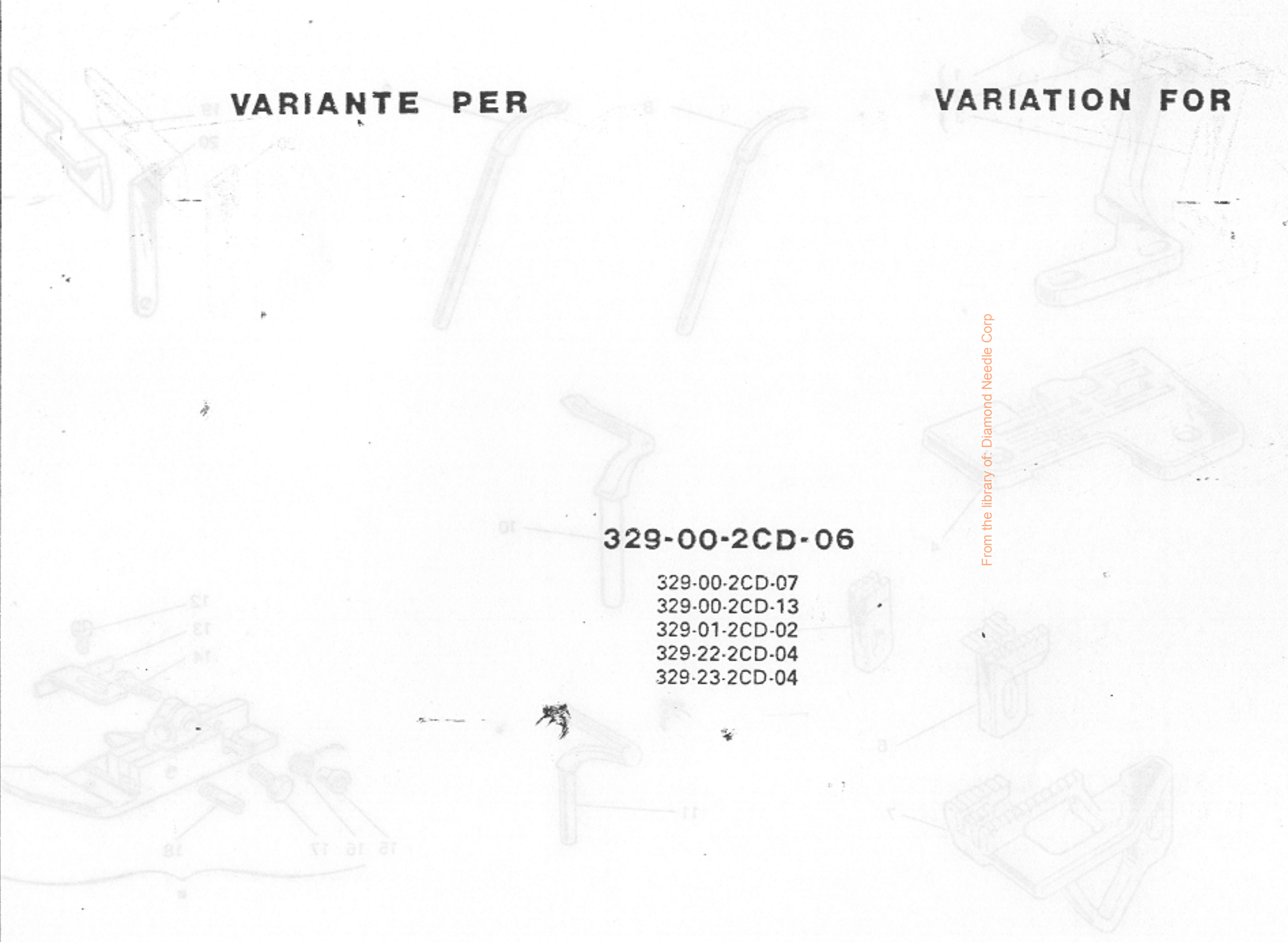
VARIANTE PER

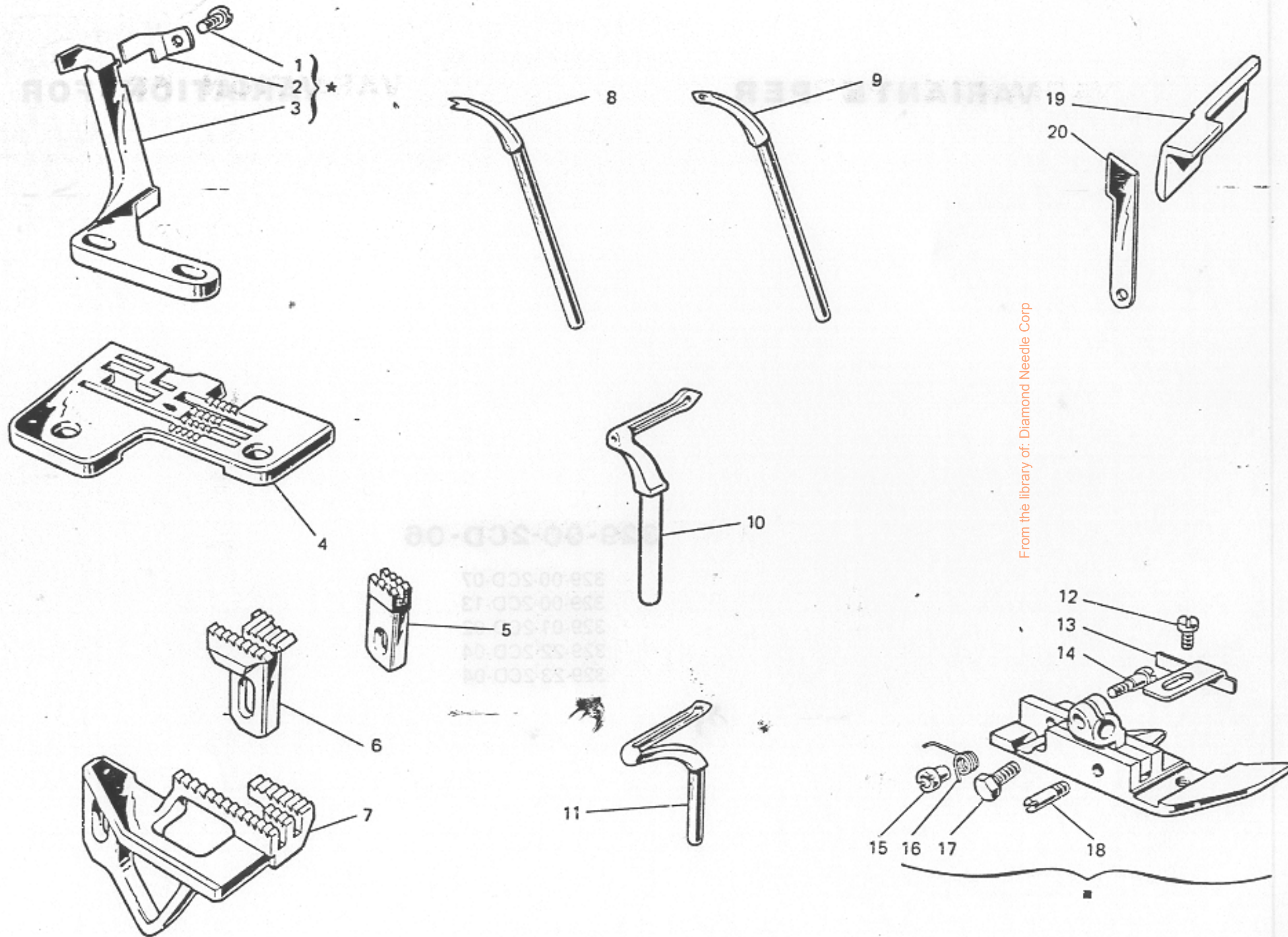
VARIATION FOR

329-00-2CD-06

- 329-00-2CD-07
- 329-00-2CD-13
- 329-01-2CD-02
- 329-22-2CD-04
- 329-23-2CD-04

From the library of: Diamond Needle Corp

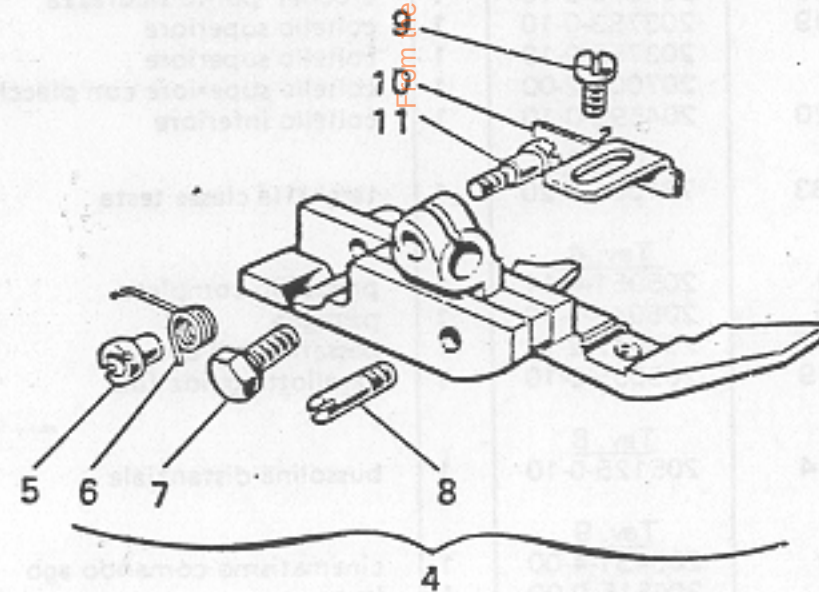
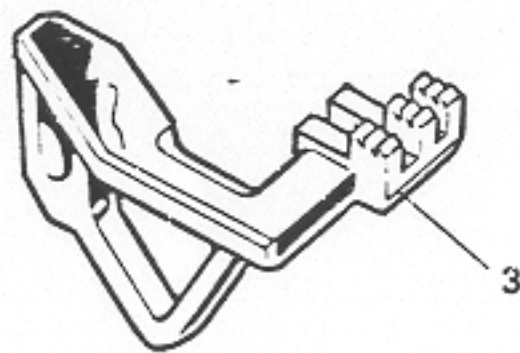
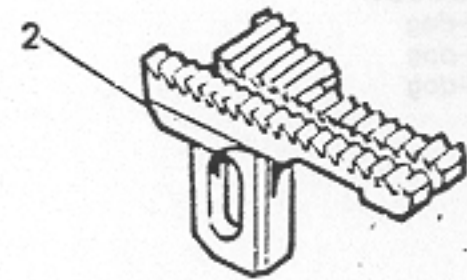
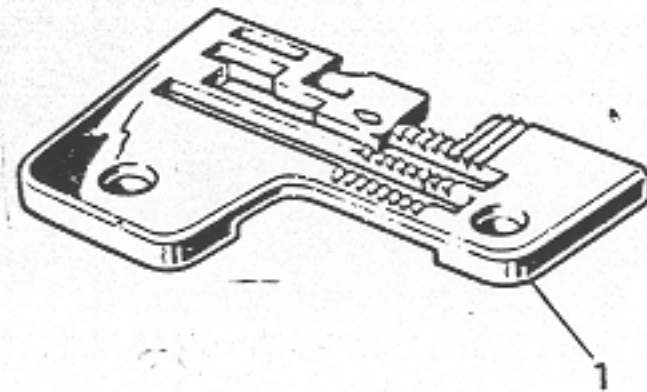




From the library of: Diamond Needle Corp

Fig. N. Abb. N.	Part. N. Bestell N. Piece N. Pieza N.	Qt. Anzahl	DESCRIZIONE	DESCRIPTION	BENENNUNG	DESCRIPTION	DESCRIPCION
★	204862-4-10	1	gruppo salva ago e spingi asola	rear and front needle guard assembly			
1	741431-0-00	1	vite	screw			
2	204261-0-10	1	spingi asola	front needle guard			
3	204863-0-10	1	salva ago	rear needle guard			
4	205025-0-10	1	placca ago	needle plate			
5	202609-0-10	1	griffino largh.costa 5,5 mm	feed-dog bight width 5,5 mm.			
6	205011-0-10	1	griffa sussidiaria	subsidiary feed dog			
7	205007-0-10	1	griffa principale	main feed-dog			
8	202092-0-10	1	crochet sup.cieco cucit.a 4 fili	upper looper (blind)			
9	204033-0-10	1	crochet sup.cieco cucit.a 5 fili	upper looper (blind)			
10	204678-0-10	1	crochet punto sicurezza	looper			
11	202413-0-10	1	crochet inferiore	lower looper			
12	741413-0-00	1	vite	screw			
13	204878-0-10	1	piastrina	plate			
14	204889-0-10	1	vite	screw			
15	204895-0-10	1	bussola filettata	bush			
16	204894-0-10	1	molla	spring			
17	204947-0-10	1	vite	screw			
18	204869-0-10	1	spina	pin			
19	207003-2-00	1	coltello superiore	upper knife			
20	207020-2-00	1	coltello inferiore	lower knife			
■	205070-3-11	1	pedino completo	presserfoot assembly			
	<u>Tav. 32</u>		SOLO A RICHIESTA	ONLY ON REQUEST			
6	205013-2-11	1	griffa sussidiaria	subsidiary feed-dog			
	205064-0-10	1	griffa sussidiaria	subsidiary feed-dog			
	205065-0-10	1	griffa sussidiaria	subsidiary feed-dog			
7	205009-2-11	1	griffa principale	main feed-dog			
	205059-0-10	1	griffa principale	main feed-dog			
	205060-0-10	1	griffa principale	main feed-dog			
10	204675-0-10	1	crochet punto sicurezza	looper			
19	203783-0-10	1	coltello superiore	upper knife			
	203759-0-10	1	coltello superiore	upper knife			
	207004-2-00	1	coltello superiore con placchetta	upper knife			
20	204693-0-10	1	coltello inferiore	lover knife			
	<u>Tav. 3</u>						
33	781306-0-20	1	targhetta classe testa	head class plate			
	<u>Tav. 4</u>						
1	205051-4-11	1	pressafilo completo	thread presser assembly			
5	205049-0-10	1	pastiglia	plug			
17	205042-2-11	1	passafilo dell'ago	thread needle guide			
19	205055-0-10	1	cavallotto guida filo	bracket thread guide			
	<u>Tav. 8</u>						
14	205125-0-10	1	bussolina distanziale	bush			
	<u>Tav. 9</u>						
★	206431-4-00	1	cinematismo comando ago	needle control assembly			
1	206515-0-00	1	leva	lever			
27	206833-4-00	1	barra ago con morsetto e fig.24-25	needle bar with clamp fig.24-25			
28	765200-6-10	1	ago sistema RIM 27 fin 100	needle RIM27 fin.100			
	<u>Tav. 10</u>						
16	205042-0-10	1	molla premipedino	spring			
	<u>Tav. 11</u>						
17	205024-0-10	1	spingi asola	front needle guard			
	<u>Tav. 14</u>						
17	765200-6-10	10	ago sistema RIM27 fin. 100	needle RIM27 fin. 100			

From the library of: Diamond Needle Corp



From the library of: Diamond Needle Corp

Fig. N. Abb. N.	Part. N. Bestell N. Piece N. Pieza N.	Qt. Anzahl	DESCRIZIONE	DESCRIPTION	BENENNUNG	DESCRIPTION	DESCRIPCION
1	205026-0-10	1	placca ago largh. costa 5 mm.	needle plate bight width 5 mm.			
2	205066-0-10	1	griffa sussidiaria	subsidiary feed dog			
3	205061-0-10	1	griffa principale	main feed dog			
4	205110-3-11	1	piedino completo	presserfoot assembly			
5	204895-0-10	1	bussola filettata	bush			
6	204894-0-10	1	molla	spring			
7	204947-0-10	1	vite	screw			
8	204869-0-10	1	spina	pin			
9	741413-0-00	1	vite	screw			
10	205112-0-10	1	piestrina	plate			
11	205889-0-10	1	vite	screw			
			<u>Tav. 3</u>				
33	781300-0-20	1	targhetta classe testa	head class plate			
			<u>Tav. 4</u>				
10	724432-0-00	1	vite	screw			
			SOLO A RICHIESTA	ONLY ON REQUEST			
			<u>Tav. 32</u>				
19	203783-0-10	1	coltello superiore	upper knife			
	203759-0-10	1	coltello superiore	upper knife			
	207004-2-00	1	coltello superiore con placchetta	upper knife			
20	204693-0-11	1	coltello inferiore	lower knife			
			<u>Tav. 33</u>				
2	205067-0-10	1	griffa sussidiaria	subsidiary feed dog			
3	205062-0-10	1	griffa principale	main feed dog			

From the library of: Diamond Needle Corp

Rumoldi

329-00-2CD-13

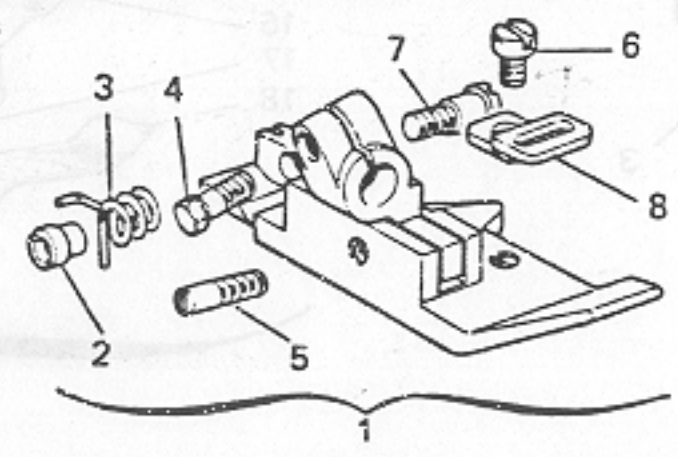
TAV. 34

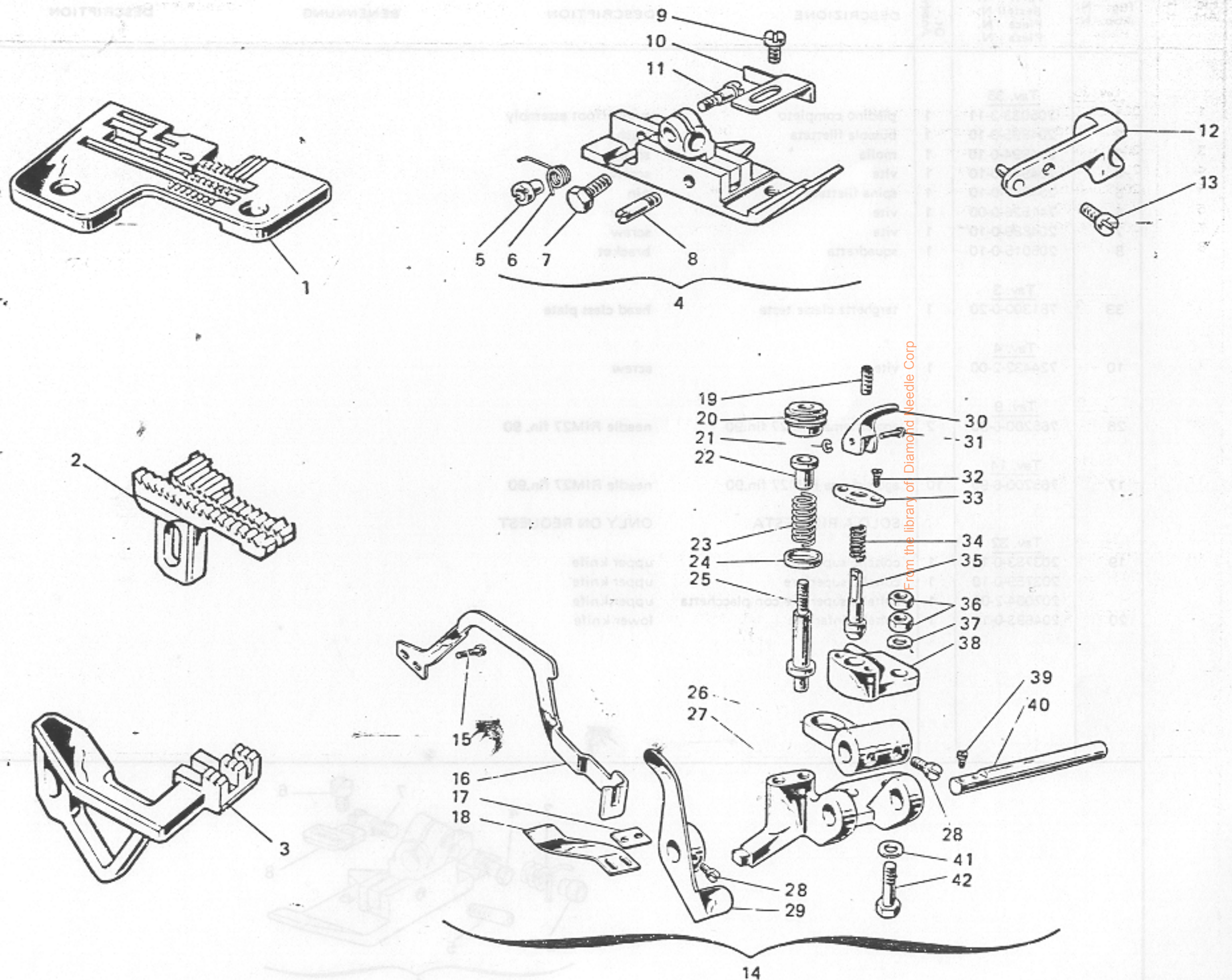
Fig. N. Abb. N.	Part. N. Bestell N. Piece N. Pieza N.	Qt. Anzahl	DESCRIZIONE	DESCRIPTION	BENENNUNG	DESCRIPTION	DESCRIPCION
33	<u>Tav. 3</u> 781300-0-20	1	targhetta classe testa	head class plate			
10	<u>Tav. 4</u> 724432-0-00	1	vite	screw			
28	<u>Tav. 9</u> 765200-6-90	2	ago sistema RIM27 fin.90	needle RIM27 fin.90			
17	<u>Tav. 14</u> 765200-6-90	10	ago sistema RIM27 fin.90	needle RIM27 fin.90			
4	<u>Tav. 31</u> 205026-0-10	1	placca ago largh.costa 5 mm.	needle plate bight width 5 mm.			
6	205066-0-10	1	griffa sussidiaria	subsidiary feed dog			
7	205061-0-10	1	griffa principale	main feed dog			
			SOLO A RICHIESTA	ONLY ON REQUEST			
6	<u>Tav. 32</u> 205067-0-10	1	griffa sussidiaria	subsidiary feed dog			
7	205062-0-10	1	griffa principale	main feed dog			
19	203783-0-10	1	coltello superiore	upper knife			
	203759-0-10	1	coltello superiore	upper knife			
	207004-2-00	1	coltello superiore con placchetta	upper knife			
20	204693-0-11	1	coltello inferiore	lower knife			

From the library of: Diamond Needle Corp

Fig. N. Abb. N.	Part. N. Bestell N. Pieza N.	Qt. Anzahl	DESCRIZIONE	DESCRIPTION	BENENNUNG	DESCRIPTION	DESCRIPCION
	<u>Tav. 35</u>						
1	205033-3-11	1	pedino completo	presserfoot assembly			
2	204895-0-10	1	bussola filettata	bush			
3	204894-0-10	1	molla	spring			
4	204947-0-10	1	vite	screw			
5	204869-0-10	1	spina filettata	pin			
6	741526-0-00	1	vite	screw			
7	204889-0-10	1	vite	screw			
8	205015-0-10	1	squadretta	bracket			
	<u>Tav. 3</u>						
33	781300-0-20	1	targhetta classe testa	head class plate			
	<u>Tav. 4</u>						
10	724432-2-00	1	vite	screw			
	<u>Tav. 9</u>						
28	765200-6-90	2	ago sistema RIM27 fin.90	needle RIM27 fin. 90			
	<u>Tav. 14</u>						
17	765200-6-90	10	ago sistema RIM27 fin.90	needle RIM27 fin.90			
	<u>Tav. 32</u>						
19	203783-0-10	1	coltello superiore	upper knife			
	203759-0-10	1	coltello superiore	upper knife'			
	207004-2-00	1	coltello superiore con placchetta	upper knife			
20	204693-0-11	1	coltello inferiore	lower knife			
			SOLO A RICHIESTA	ONLY ON REQUEST			

From the library of: Diamond Needle Corp

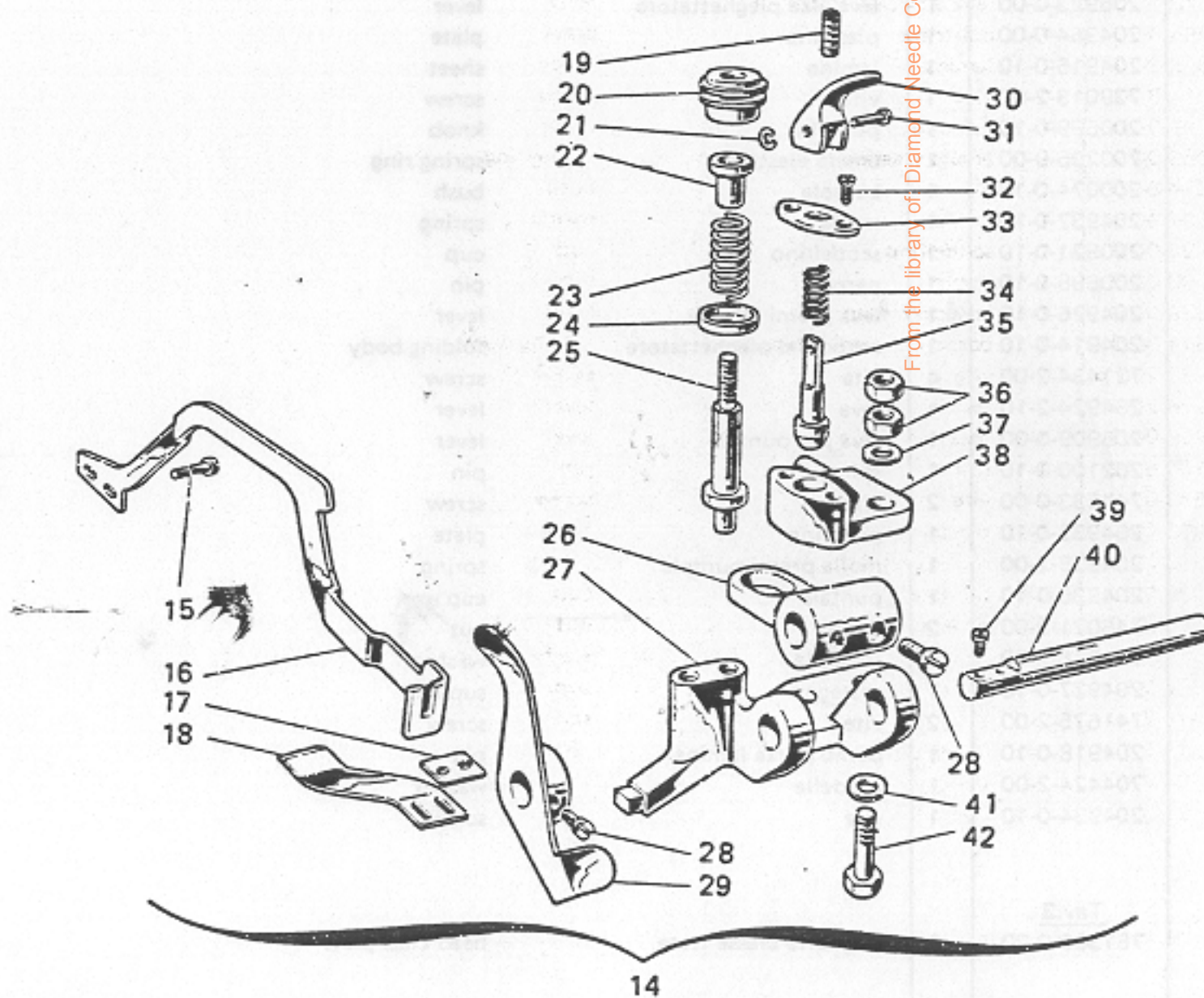
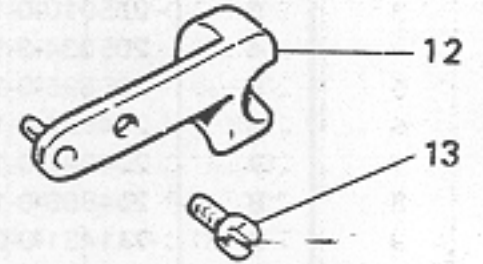
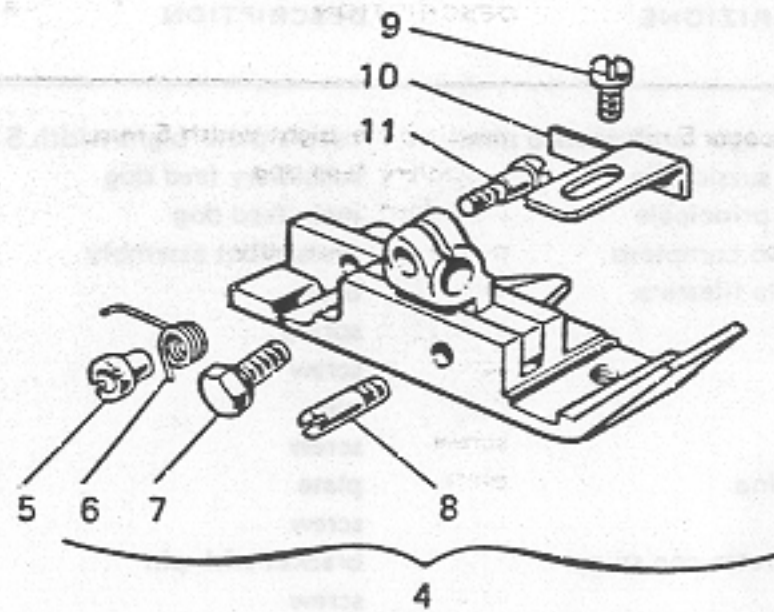
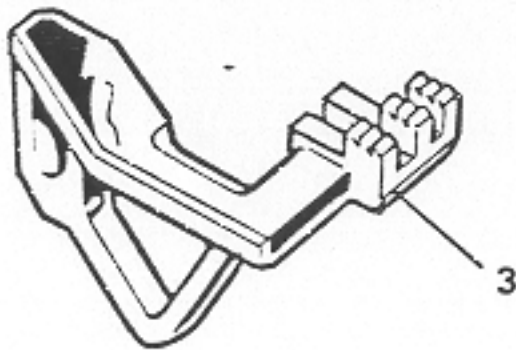
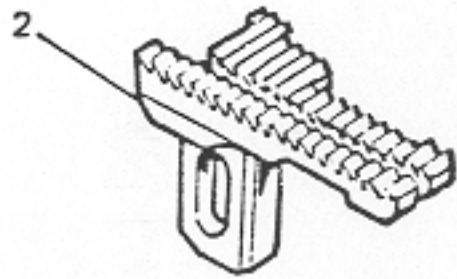
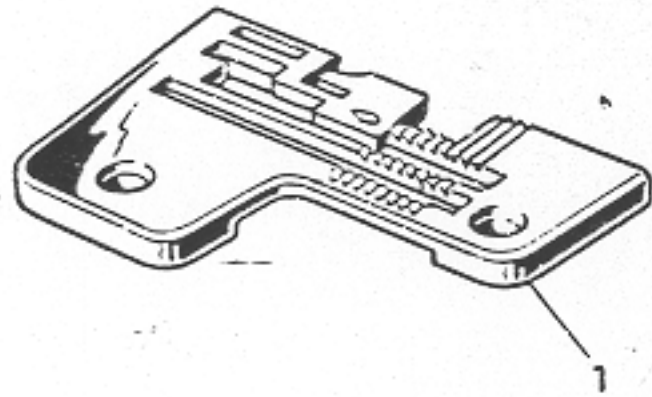




From the library of Diamond Needle Corp

Fig. N. Abb. N.	Part. D. Bestell N. Pieze N. Pieza N.	Qt. Anzahl	DESCRIZIONE	DESCRIPTION	BENENNUNG	DESCRIPTION	DESCRIPCION
*	206257-4-00	1	coperchio superiore completo	upper cover assembly			
1	204748-4-11	1	passafilo completo dell'ago	thread guide assembly			
2	202260-0-10	1	tappo filettato	plug			
3	202257-0-10	1	molla	spring			
4	202258-0-10	1	pernetto	pin			
5	203635-0-10	1	pastiglia	plug			
6	202256-0-10	1	pernetto	pin			
7	741559-2-00	1	vite	screw			
8	204704-0-10	1	tubetto	tube			
9	204747-0-10	1	passafilo	thread guide			
10	724422-2-00	1	vite	screw			
11	733505-2-00	1	dado	nut			
12	721424-2-00	2	vite	screw			
13	206317-3-00	1	coperchio con passafili	cover with thread guide			
14	206714-2-00	1	passafilo	thread guide			
15	206746-0-00	1	tampone	pad			
16	729011-2-00	2	vite	screw			
17	203647-2-11	1	passafilo dell'ago	needle thread guide			
18	741535-0-00	1	vite	screw			
19	204753-0-10	1	cavallotto guida fili	coupling			
20	206535-0-00	1	tendifilo dell'ago	needle thread guide			
21	204760-4-10	1	mensola completa	bracket assembly			
22	701405-0-00	2	vite	screw			
23	204761-0-10	1	mensola premi filo	bracket			
24	204759-2-10	1	mensola con spine	bracket with pin			
25	741539-0-00	2	vite	screw			
26	206755-0-00	1	colonnina per passafilo	column			
27	206812-0-00	1	passafilo crochet inferiore	upper looper thread guide			
28	744631-2-00	1	vite	screw			
29	204750-0-10	1	squadretta	bracket			
30	204911-0-11	1	tendifilo	thread guide			
31	206876-0-00	1	passafilo	thread guide			
32	741682-0-00	1	vite	screw			
33	741400-0-00	1	vite	screw			
34	741657-0-00	1	vite	screw			
35	204756-0-10	1	fascetta	collar			
36	788001-0-01	1	decalcomania sist. aghi RIM 27	needle Rim 27 decalcomania			
37	206340-4-00	1	tensione compl. con molla fig. 43	tension assembly with spring fig. 43			
38	203630-0-10	1	passafilo	thread guide			
39	206711-0-00	3	passafilo	thread guide			
40	206713-2-00	1	passafilo	thread guide			
41	733503-0-00	3	dado	nut			
42	202225-0-10	2	perno per tensione fig. 50-37	pin for tension fig. 50-37			
42/1	206747-0-01	3	perno per ten. fig. 50/1-50/2-50/3	pin for tension fig. 50/1-50/2-50/3			
43	203457-0-10	1	molla per tensione fig. 50/1	spring for tension fig. 50/1			
44	705013-0-00	1	rondella	washer			
45	745803-2-00	3	vite	screw			

Fig. N. Abb. N.	Part. N. Bestell N. Pieze N. Pieza N.	Qt. Anzahl	DESCRIZIONE	DESCRIPTION	BENENNUNG	DESCRIPTION	DESCRIPCION
1	205026-0-10	1	placca ago largh. costa 5 mm.	needle plate bight width 5 mm.			
2	205014-0-10	1	griffa sussidiaria	subsidiary feed dog			
3	205010-0-10	1	griffa principale	main feed dog			
4	205034-3-11	1	pieдино completo	presserfoot assembly			
5	205895-0-10	1	bussola filettata	bush			
6	204894-0-10	1	molla	spring			
7	204947-0-10	1	vite	screw			
8	204869-0-10	1	spina	pin			
9	741431-0-00	1	vite	screw			
10	204880-0-10	1	piastrina	plate			
11	204889-0-10	1	vite	screw			
12	203193-2-10	1	squadretta con spina	bracket with pin			
13	721443-0-10	1	vite	screw			
14	204915-4-12	1	pieghettatore completo	folding device			
15	300483-0-10	2	vite	screw			
16	206923-0-00	1	leva alza pieghettatore	lever			
17	204964-0-00	1	piastrina	plate			
18	204916-0-10	1	lamina	sheet			
19	729013-2-00	1	vite	screw			
20	200699-0-10	1	pomolo	knob			
21	700205-0-00	1	anello elastico	spring ring			
22	200074-0-10	1	bussola	bush			
23	204937-0-10	1	molla	spring			
24	200821-0-10	1	scodellino	cup			
25	200698-0-10	1	perno	pin			
26	204926-0-10	1	leva premi lamina	lever			
27	204914-0-10	1	corpo del pieghettatore	folding body			
28	721434-2-00	4	vite	screw			
29	204924-2-10	1	leva	lever			
30	206909-0-00	1	leva per puntale	lever			
31	202100-0-10	1	spina	pin			
32	744533-0-00	2	vite	screw			
33	204935-0-10	1	piastrina	plate			
34	204938-2-00	1	molla premi puntale	spring			
35	204936-0-10	1	puntale	cup			
36	746021-2-00	2	dado	nut			
37	704216-2-00	1	rondella	washer			
38	204927-0-10	1	sostegno	support			
39	741675-2-00	2	vite	screw			
40	204918-0-10	1	perno porta lamina	pin			
41	704424-2-00	1	rondella	washer			
42	204934-0-10	1	vite	screw			
33	Tav.3 781300-0-20	1	targhetta classe testa	head class plate			



From the library of Diamond Needle Corp

Fig. N. Abb. N.	Part. N. Bestell N. Piece N. Pieza N.	Qt. Anzahl	DESCRIZIONE	DESCRIPTION	BENENNUNG	DESCRIPTION	DESCRIPCION
10	<u>Tav. 4</u> 724432-0-00	1	vite	screw			
			SOLO A RICHIESTA	ONLY ON REQUEST			
19	<u>Tav. 32</u> 203783-0-10	1	coltello superiore	upper knife			
	203759-0-10	1	coltello superiore	upper knife			
	207004-2-00	1	coltello superiore con placchetta	upper knife			
20	204693-0-11	1	coltello inferiore	lower knife			
2	<u>Tav. 36</u> 205067-0-10	1	griffa sussidiaria	subsidiary feed dog			
3	205062-0-10	1	griffa principale	main feed dog			
			PEZZI ANNULLATI	CANCELLED PARTS			
16	<u>Tav. 2</u> 202398-0-10	1	tappo	plug			
16	<u>Tav. 10</u> 205042-0-11	1	molla premipedino	spring			
17	203187-0-10	1	vite	screw			

From the library of: Diamond Needle Corp

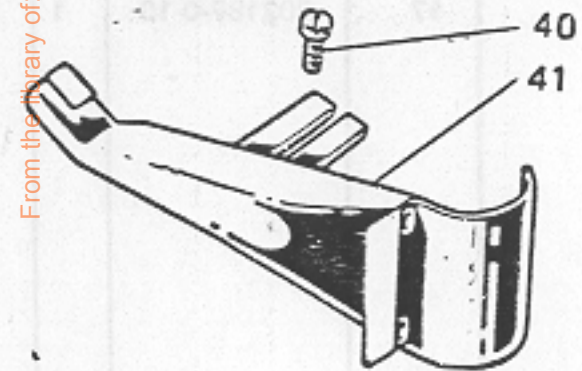
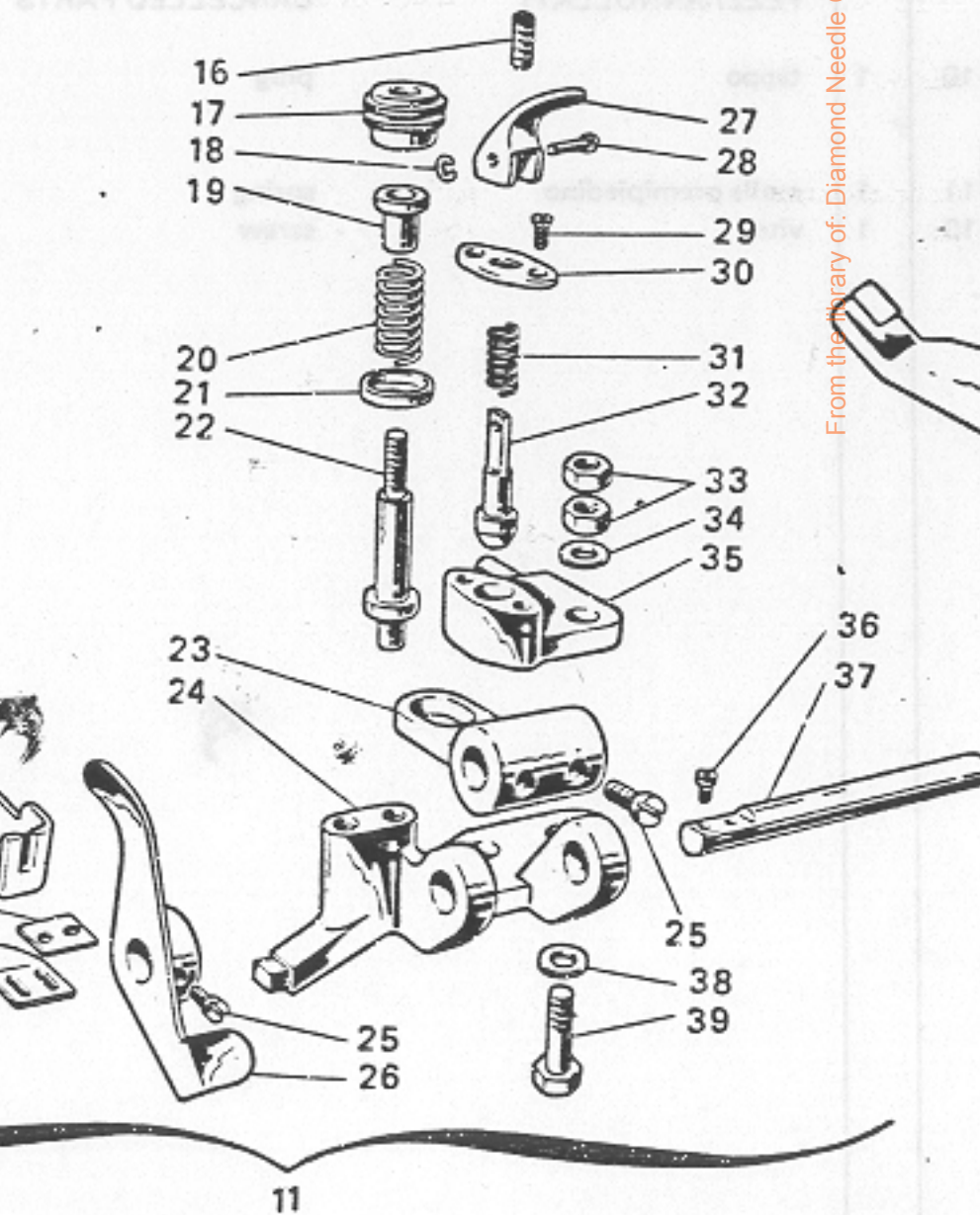
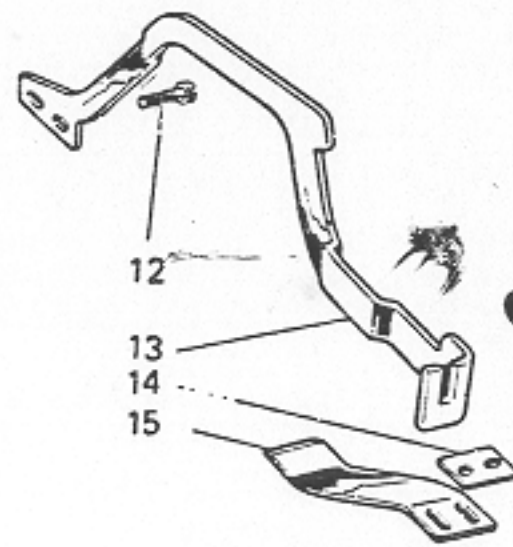
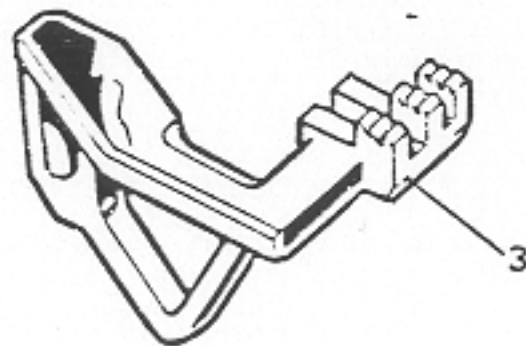
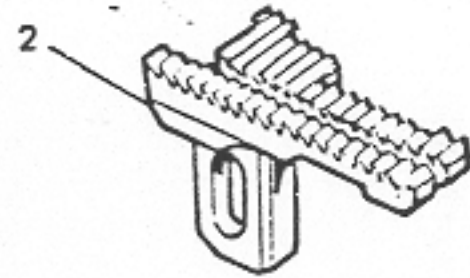
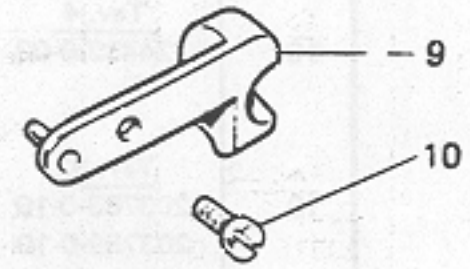
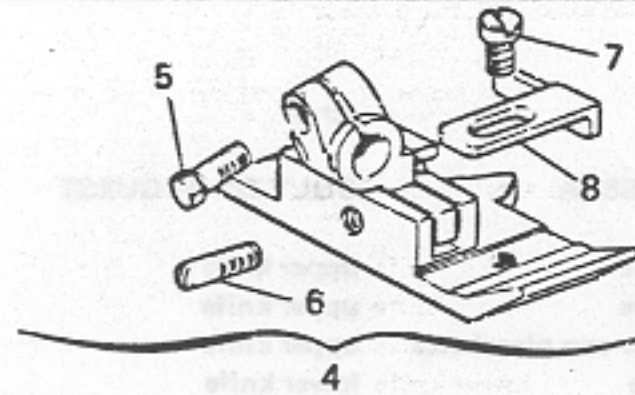
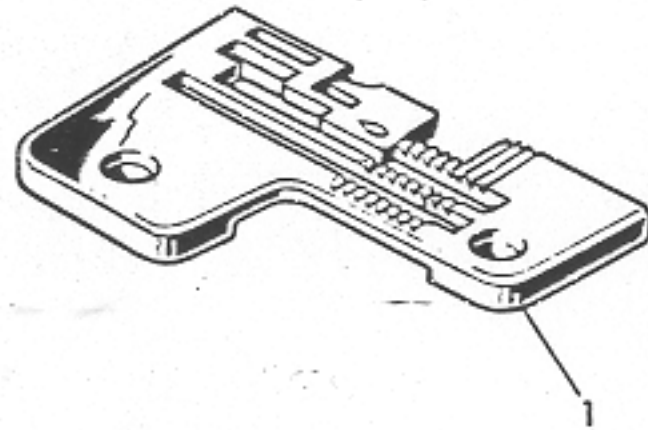
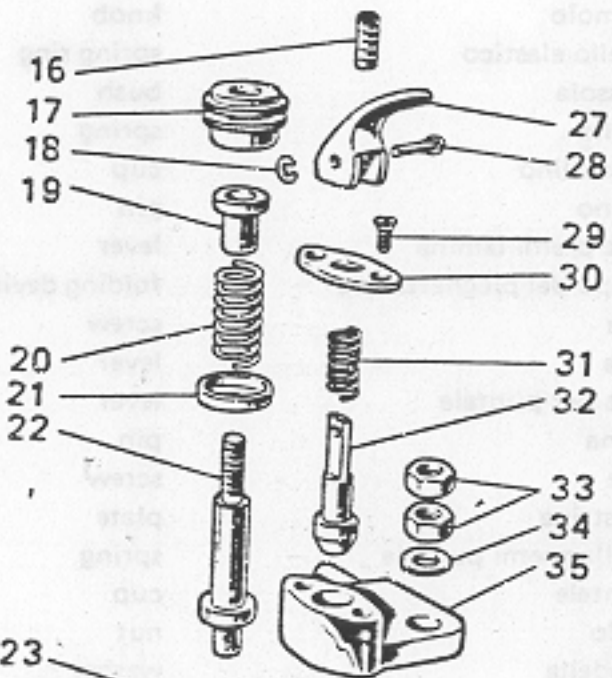
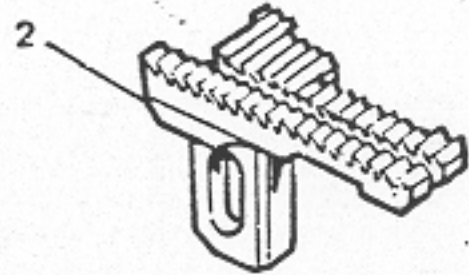
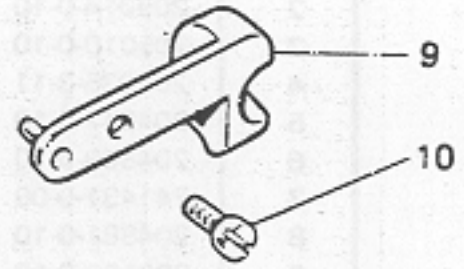
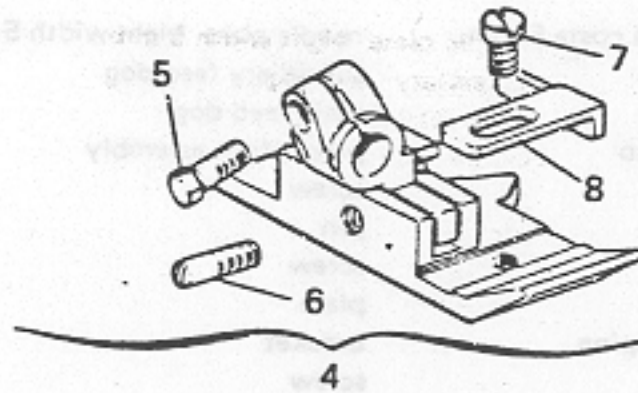
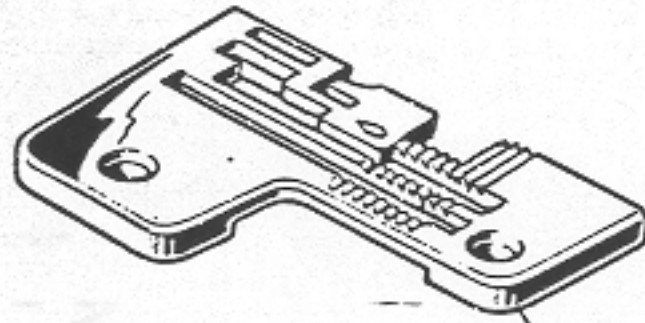


Fig. N. Abb. N.	Part. N. Bestell N. Pieze N.	Qt. Anzahl	DESCRIZIONE	DESCRIPTION	BENENNUNG	DESCRIPTION	DESCRIPCION
1	205026-0-10	1	placca ago largh.costa 5 mm.	needle plate bight width 5 mm.			
2	205014-0-10	1	griffa sussidiaria	subsidiary feed dog			
3	205010-0-10	1	griffa principale	main feed dog			
4	205035-3-11	1	piedino completo	presserfoot assembly			
5	204947-0-10	1	vite	screw			
6	204869-0-10	1	spina	pin			
7	741431-0-00	1	vite	screw			
8	204881-0-10	1	piastrina	plate			
9	203193-2-10	1	squadretta con spina	bracket			
10	721443-0-10	1	vite	screw			
11	204915-4-12	1	pieghettatore completo	folding device			
12	300483-0-10	2	vite	screw			
13	206923-0-00	1	leva alza pieghettatore	lever			
14	204264-0-00	1	piastrina	plate			
15	204916-0-10	1	lamina	sheet			
16	729013-2-00	1	vite	screw			
17	200699-0-10	1	pomolo	knob			
18	700205-0-00	1	anello elastico	spring ring			
19	200074-0-10	1	bussola	bush			
20	204937-0-10	1	molla	spring			
21	200821-0-10	1	scodellino	cup			
22	200698-0-10	1	perno	pin			
23	204926-0-10	1	leva premi lamina	lever			
24	204914-0-10	1	corpo del pieghettatore	folding device			
25	721434-0-00	4	vite	screw			
26	204924-2-10	1	leva	lever			
27	206909-0-00	1	leva per puntale	lever			
28	202100-0-10	1	spina	pin			
29	744533-0-00	2	vite	screw			
30	204935-0-10	1	piastrina	plate			
31	204938-2-00	1	molla premi puntale	spring			
32	204936-0-10	1	puntale	cup			
33	746021-2-00	2	dado	nut			
34	704216-2-00	1	rondella	washer			
35	204927-0-10	1	sostegno	suppo			
36	741675-2-00	2	vite	screw			
37	204918-0-10	1	perno porta lamina	pin			
38	704424-2-00	1	rondella	washer			
39	204934-0-10	1	vite	screw			
40	721444-2-00	2	vite	screw			
41	204930-2-10	1	guida	guide			
33	Tav.3 781300-0-20	1	targhetta classe testa	head class plate			

From the library of: Diamond Needle Corp



From the library of: Diamond Needle Corp

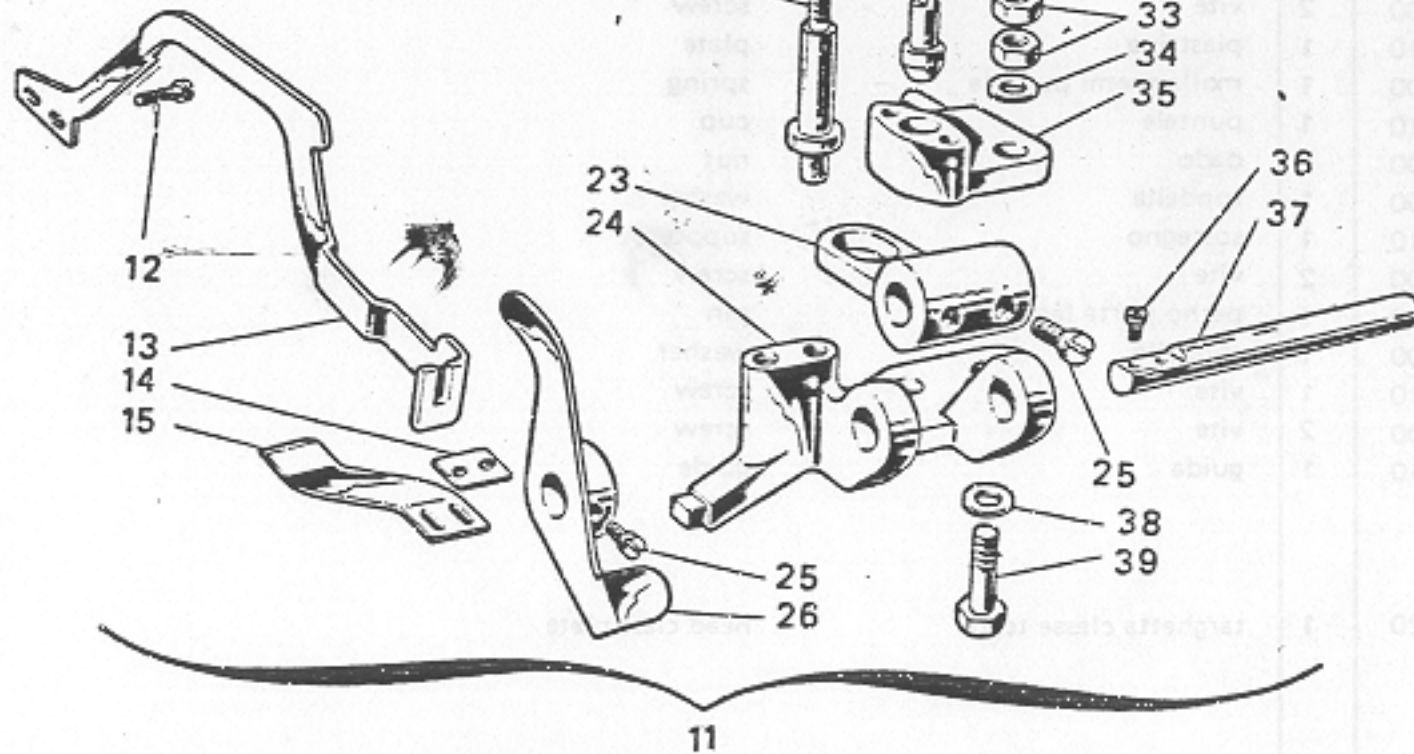
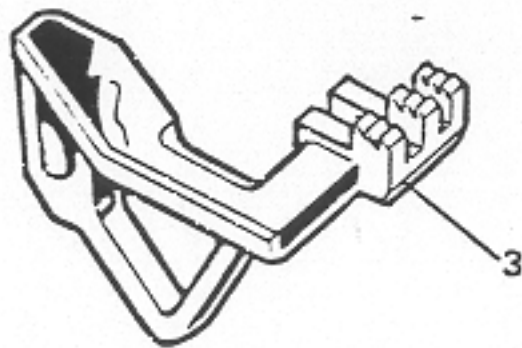
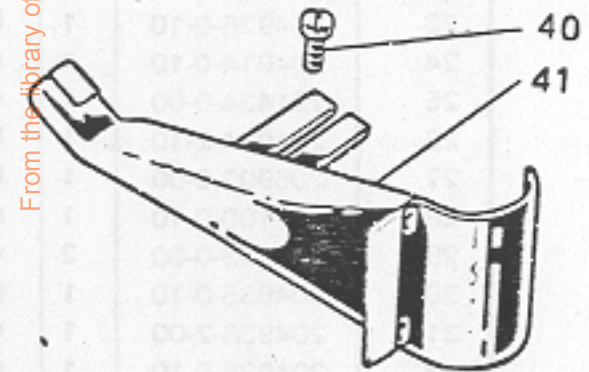
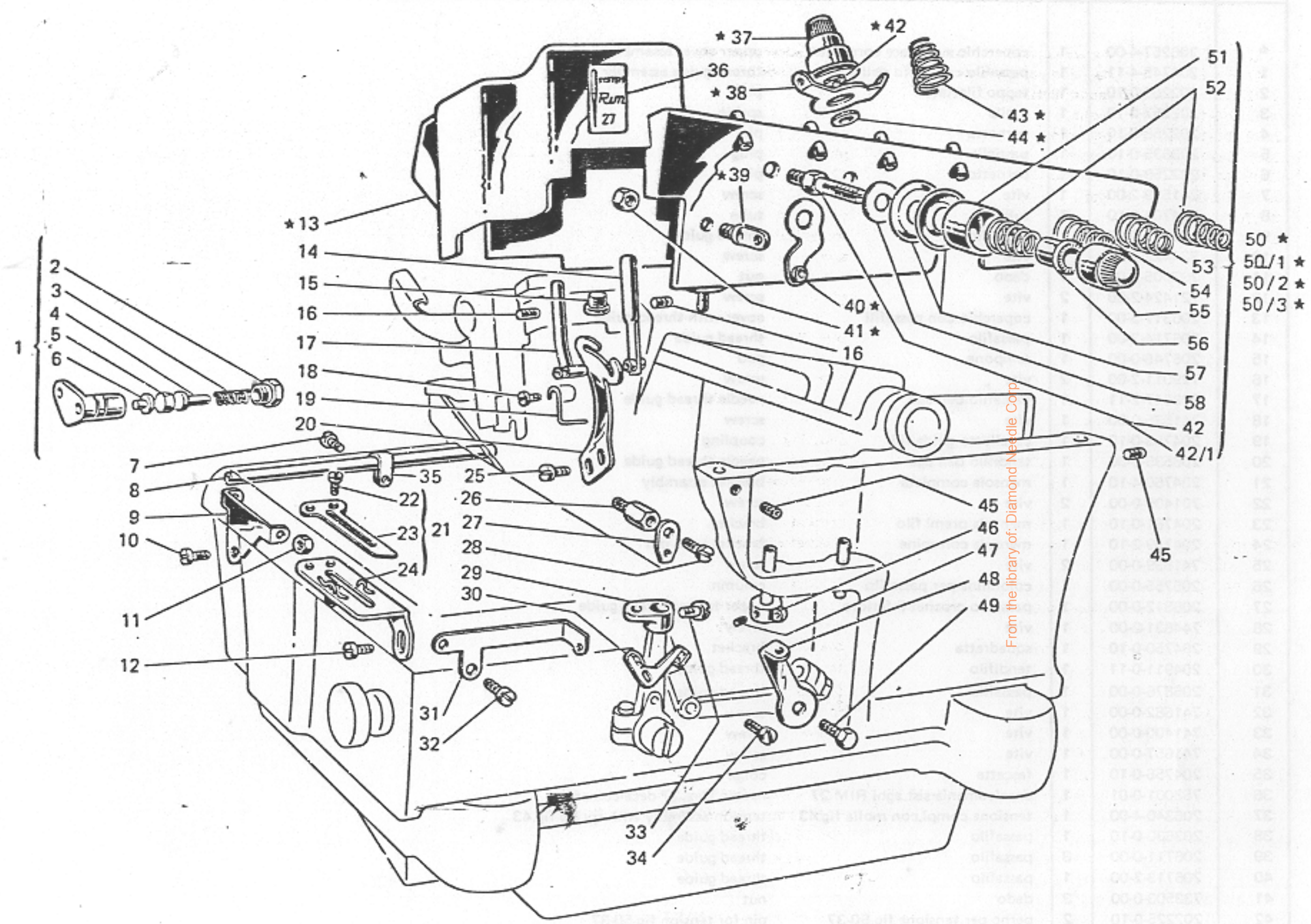


Fig. N. Abb. N.	Part. N. Bestell N. Piece N. Pieza N.	Qt. Anzahl	DESCRIZIONE	DESCRIPTION	BENENNUNG	DESCRIPTION	DESCRIPCION
10	<u>Tav. 4</u> 724432-0-00	1	vite	screw			
			SOLO A RICHIESTA	ONLY ON REQUEST			
19	<u>Tav. 32</u> 203783-0-10	1	coltello superiore	upper knife			
	203759-0-10	1	coltello superiore	upper knife			
	207004-2-00	1	coltello superiore con placchetta	upper knife			
20	204693-0-11	1	coltello inferiore	lower knife			
2	<u>Tav. 37</u> 205067-0-10	1	griffa sussidiaria	subsidiary feed dog			
3	205062-0-10	1	griffa principale	main feed dog			
41	204958-2-10	1	guida	guide			
			PEZZI ANNULLATI	CANCELLED PARTS			
16	<u>Tav. 2</u> 202398-0-10	1	tappo	plug			
16	<u>Tav. 10</u> 205042-0-11	1	molla premipiedino	spring			
17	203187-0-10	1	vite	screw			

From the library of: Diamond Needle Corp

Rumoldi



From the library of: Diamond Needle Corp.